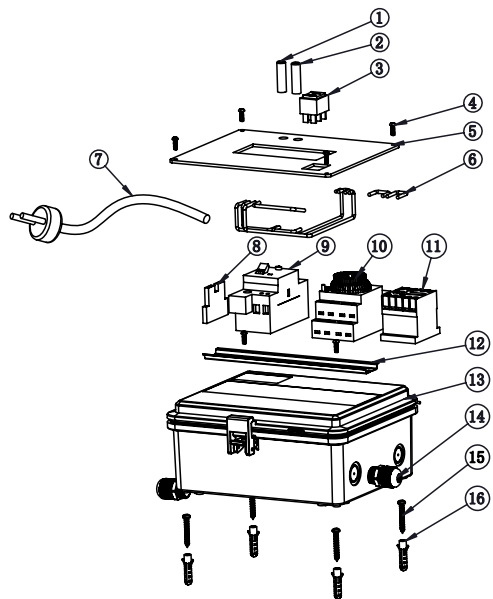


PART LIST
零部件清单



项目 Item No.	部件编号 Part No.	中文 Chinese	产品资料/说明 Product Description	数量 QTY
1	04014061	绿色指示灯	Green light	1
2	04014060	红色指示灯	Red light	1
3	04014027	按钮安关	Mode button	1
4	03011007	M4*12螺丝	M4x12 screws	6
5	03021014	控制箱隔板	Control box panel	1
6	89330101	电缆线	Cable	1
7	04013092	法式防水直插头线	Cable with European plug	1
	04013073	电缆线连澳大利亚直插头控	Cable with Australian plug	1
	04013129	美式插头电缆线	Cable with US plug	1
8	04014033	地线接线排	Earth connection	1
9	04014081	漏电开关	Power switch unit	1
10	04014029	时间开关	Timer selector	1
11	04014067	220V交流接触器	220V AC contactor	1
	04014075	110V交流接触器	110V AC contactor	1
12	04014019	轨道	Track	1
13	89480101	控制箱箱体	Control box body	1
14	04014013	M8 Pg11电缆索头	M8 Pg11 cable grand(s)	4
15	03011023	圆头自攻螺丝	Screws	4
16	87013019	膨胀胶粒	Plastic fitting	4

KZD2200 CONTROL BOX
KZD2200 控制箱

Code: (220V50Hz/60Hz) 88330101
(110V50Hz/60Hz) 88330201

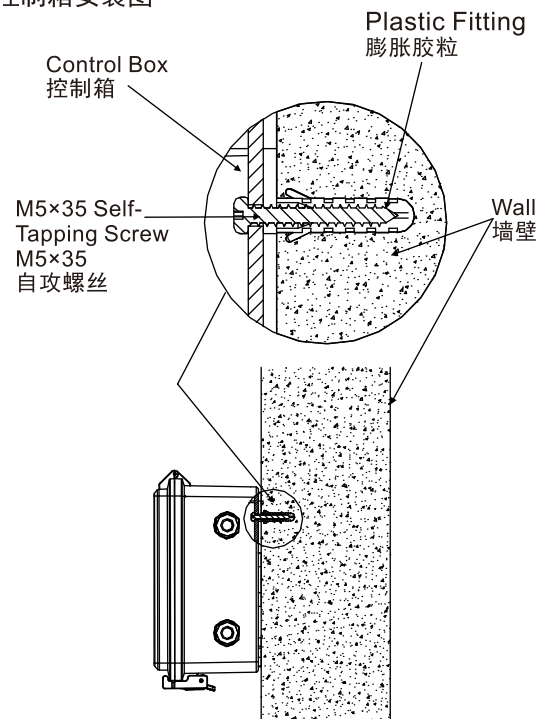
Keep this manual safe for future reference
请保留您的说明书

CONTROL BOX INSTALLATION

Remove the Panel from the Control Box, position the box to the desired fitting place and mark on the wall with the location of the drilled holes, then drill 4 holes of $\Phi 8\text{mm}$ on the marked position and insert a plastic fitting, secure the box by fastening 4 screws of M5x35 to the plastic fittings(See diagram below).

首先移开控制箱隔板, 将控制箱置于墙上合适的高度并标明四角的安装孔位, 然后在墙上标明的孔位开4个 $\Phi 8\text{mm}$ 的孔。敲入膨胀胶粒后用4颗M5x35的自攻螺丝将控制箱固定在墙上(控制箱安装图)。

CONTROL BOX INSTALLATION DIAGRAM
控制箱安装图



Warning:

This electrical control box must be installed by a licensed or certified electrician or a qualified serviceman in accordance to the requirements of your government standard or local authorities. Improper installation will create electric hazards which could result in serious injury, death as well as damage to the property.

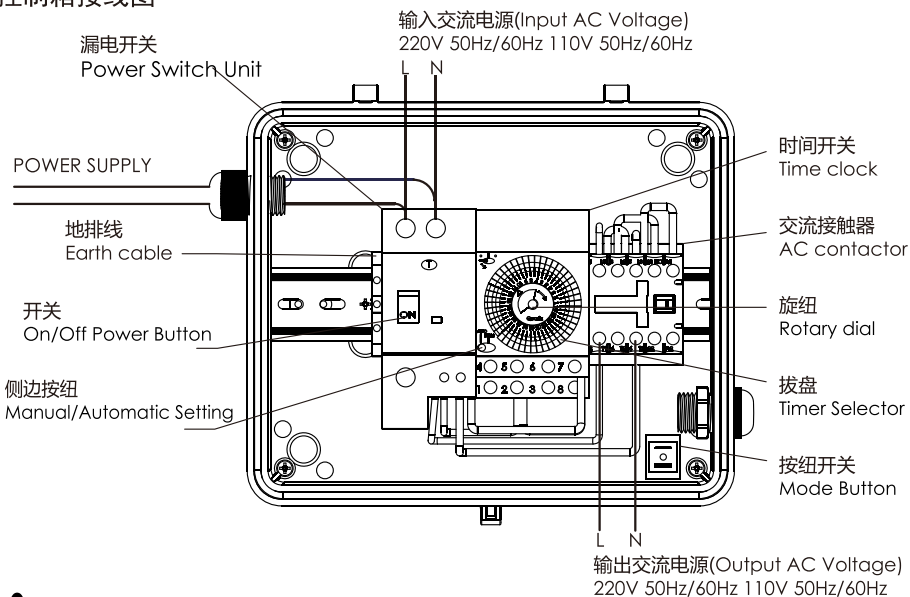
Before any servicing or maintenance work, make sure the electricity from the power supply had been switched off.

警告:

本电子控制箱必须由合格的电工或合格的维护人员安装,并按照合乎当地官方许可的法规安装,不适当的安装,会引起触电导致电子控制箱使用者或安装人员严重伤害及财物损失,甚至死亡. 保养维修电子控制箱之前必须把连接电箱的电源切断!

CONTROL BOX DIAGRAM

控制箱接线图



Warning: Maximum load of the Control Box must not exceed 2.2KW !

警告: 单个控制箱负载总功率小于2.2KW !

各模式操作说明:

OPERATION INSTRUCTION

Automatic Mode: Allows all appliances to operate automatically based on the pre-set time.

1. Ensure the setting is on "Automatic" for the MODE BUTTON.
2. Turn ON the Power Button.
3. On the Timer, select the "Automatic" setting.

4. Turn the Rotary Dial to the current time, depress the Time Selector tabs to set the turn-on time.

Closed Mode: Turn off all appliances connected to the Control Box

Manual Mode: Operation without timer.

1. Ensure the setting is on "Manual" for the MODE BUTTON
2. The Power Button will be used to manually turn on/off the Control Box

自动模式: 根据所设置的时间, 使负载全天自动运行开启及关闭操作.

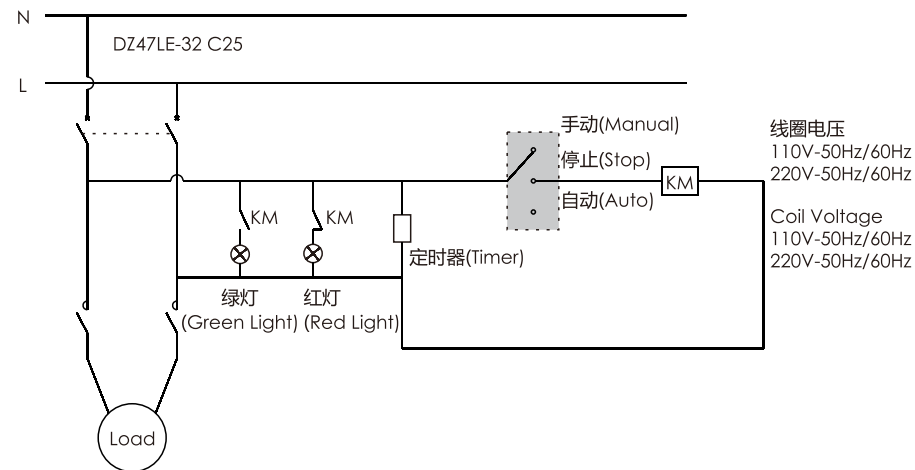
1. 确保按钮开关, 切换到自动档.
2. 确保漏电开关, 切换到打开档.
3. 确保时间开关侧边按钮切换到自动档.
4. 将负载关闭时间所对应的拨盘往外拨, 再转动中间的旋钮来调节时间开关的时间与当前的时间相对应.

关闭模式: 负载处于关闭状态.

手动模式: 不连时间制操作.

1. 保确按钮开关切换到手动档.
2. 开关按钮用于控制负载开启与关闭状态.

110V/220V-50Hz/60Hz电箱线路图 (Wiring Diagram)



Note:

1. Waterproof Standard reaching IP65, suitable for outdoor use.
2. Maximum load must not exceed 2.2KW.

安装及使用说明

1. 防水等级达IP65, 可用于户外使用.
2. 所加负载不得超过2.2KW.