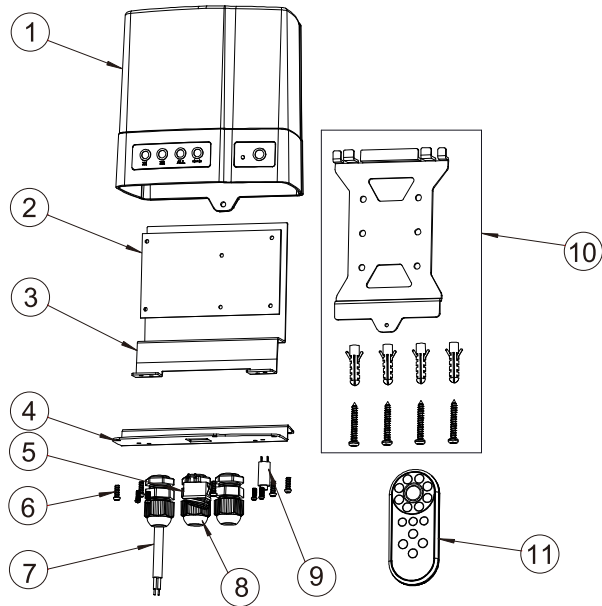


REPLACEMENT PARTS 零部件清单

Item No. 项目	Part No. 部件编号	Description 英文描述	Description Chinese 中文描述	Qty 数量
1	E111101	ColorTouch control box suite	ColorTouch 箱体套件	1
2	E111107	ColorTouch electronic board 220V suite	ColorTouch 电子板 220V 套件	1
2	E111108	ColorTouch electronic board 110V suite	ColorTouch 电子板 110V 套件	1
3	510106781	Internal plate	内板	1
4	510116781	Bottom plate	底板	1
5	106176996	Power switch	船型开关	1
6	E111102	Screw suite	ColorTouch 螺丝套件	1
7	04013004	Two-Core cable for output	输出端两芯电缆线	2
7	105101306	Three-Core cable for input	输入端三芯电缆线	1
8	04014013	Cable Gland	电缆锁头PG11	1
9	E111106	Switch for learn key suite	按钮开关(学习键)	1
10	E111103	Mounting bracket suite	ColorTouch 挂板套件	1
11	106697000	Remote(With Battery)	遥控器 (带电池)	1



Emaux
water technology



ColorTouch Control Box

INSTRUCTION MANUAL

控制箱使用说明书

CONTENTS

目录

WARNING 警告	3
PRODUCE DESCRIPTION 产品描述	4-5
WIRING DIAGRAM 接线示意图	6
CONTROLS INDEX 控制方法	7-9
INSTALLATION 安装	10
MAINTENANCE AND TROUBLE SHOOTING 维护与故障排查	11
REPLACEMENT PARTS 零部件清单	12

MAINTENANCE AND TROUBLE SHOOTING 维护与故障排查

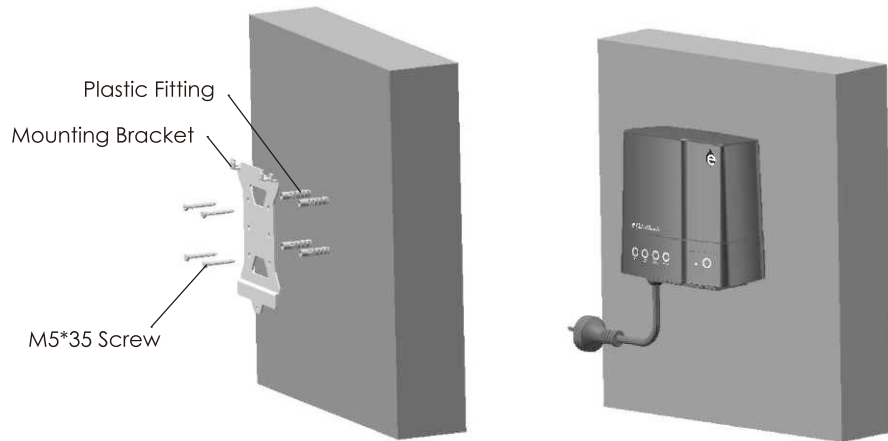
- 1) Do not leave the ColorTouch control box directly under sunlight.
 - 2) Before switching on the control box, check the circuit boxes are running properly.
 - 3) Warranty will be voided if the Emaux ColorTouch control box was dismantled by unauthorized personnel.
- 1) 控制箱不可以长时间在太阳光下曝晒。
 - 2) 装好控制箱点亮前, 要检查电箱和电路是否正常。
 - 3) 如果Emaux水下灯被未经授权人拆卸则保修视为无效。

Trouble 故障	Possible Solution 可能的解决办法
Touch remote and display light out. 触摸遥控器, 指示灯不亮	Replace battery CR2032. May enter water to damage remote. 更换电池CR2032;可能进水损坏遥控器。
The display light up on the remote and pool light up, but not control lights. 遥控器指示灯亮, 泳池灯亮但无法控制水灯。	The remote is relearned by the learn key of control box. 按控制箱上的学习键重新学习遥控器。
The control box works normally, but pool light out. 控制箱正常工作, 但水灯不亮。	Check transformer. Replace pool light panel. 检查变压器; 替换灯盘。
The ColorTouch box is not work. 控制箱不工作。	check main power button. Check connected locations of the cable. Check fuses at switchboard. Contact qualified electrician to test. 检查开关按钮; 检查电缆线连接处; 检查开关保险丝; 联系专业电工去测试。

INSTALLATION 安装

- A) Remove the mounting bracket from the control box, position the mounting bracket to the desired fitting place and mark on the wall with the location of the drilled holes.
- B) Then drill 4 holes of $\varnothing 8\text{mm}$ on the marked position and insert a plastic fitting, Secure the mounting bracket by fastening 4 screws of M5x35 to the plastic fittings. Figure .
- C) The ColorTouch control box is hanged on the hook of mounting bracket, and secure the bottom screw.

- A) 从控制盒取出挂板, 将挂板放到合适位置, 在墙上做打孔标记。
- B) 然后在标记好的位置打4个 $\varnothing 8$ 孔并插入胶粒, 确保挂板通过4颗M5x35螺丝上紧到胶粒中。
- C) 将ColorTouch控制箱挂在挂板的钩子上, 然后上紧底部螺丝。



WARNING 警告

Please read the manual carefully before commencing installation. This manual contains important information about the correct operation of ColorTouch control box.

开始使用前请认真阅读本手册。手册里包含关于正确操作ColorTouch控制箱的重要信息。

— Before

- This ColorTouch control box must be installed by a licensed or certified electrician or a qualified serviceman in accordance to the requirements of your government standard or local authorities. Improper installation will create electric hazards which could result in serious injury, death as well as damage to the property.
- Cut the power before service and maintainance!
- For safe and proper installation, ensure that those parts supplied with the produce are used.
- Never handle with wet hands and feet.
- If the external flexible cable or cord of this ColorTouch control box is damaged, it shall be exclusively replaced by the manufacturer or his service agent or a similar qualified person in order to avoid a hazard.
- Preferably installed in the place sheltered from rain or sunlight,ensure the longevity of these ColorTouch control box.

---- 之前

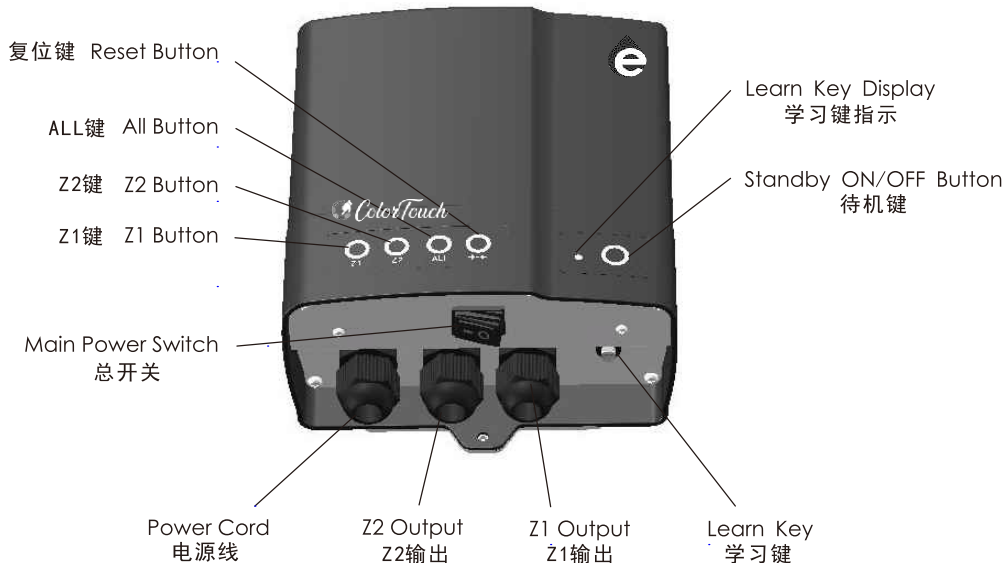
- 本电子控制箱必须由合格的电工或合格的维护人员安装, 并按照合乎当地官方许可的法规安装不适当的安装, 会引起触电导致电子控制箱使用者或安装人员严重伤害及财物损失, 甚至死亡。
- 在维修和安装控制箱前, 要断开总电源。
- 为了安全、正确地安装, 确保使用与产品配套的部件。
- 不能够用湿的手脚操作。
- 如果控制箱的外部电缆线被损坏, 应由制造商或其他服务代理商或类似合格的人员替换。
- 最好能安装在能避雨或者太阳光的地方, 确保控制箱的使用寿命。

PRODUCT DESCRIPTION 产品描述

— SPECIFICATIONS 性能参数

Work Temperature	工作温度	0-40°C
Input Voltage	输入电压	AC220-240V(110V), 50/60Hz
Output Voltage	输出电压	2*AC220-240V(110V), 50/60Hz
Maximum Power Rating	最大额定功率	2*300VA
Radio Frequency	无线接收频率	433MHz
Radio Distance At Sight (Empty area)	无线接收距离 (空旷区域)	50m
Remote Battery	遥控器电池	CR2032

— CONTROL BOX DISPLAY AND FUNCTION KEYS 控制箱显示及按键特点



B) E-Lumen Mode

- Long touch reset button will change the ColorTouch remote to E-Lumen Mode, the display led at the center of color wheel will turn to green color flash.
- The color wheel buttons and brightness function is disable.
- Touch Z1, Z2 and ALL Button will change the Zone 1, Zone 2 or Both Zones color one by one. Reset button will turn all the light color to first E-Lumen color.

Attention:

- (1) Battery replacement—reverse the remote and open the battery compartment by pushing the right hand side lock inward. The remote use CR2032 battery that life time is around six months.
- (2) E-Lumen X Mode Or E-Lumen Mode, must switch off Main Power Button of the box, wait three minutes and switch on it.

B) E-Lumen Mode

- 长触摸复位按钮将会改变遥控器为 E-Lumen 模式色环中心的指示灯会变成绿色闪烁。
- 色环按钮和亮度调节是不可用的。
- 触摸 Z1、Z2 和 ALL 按钮会依次改变 Z1 路、Z2 路和双路水灯的颜色。重置按钮会使水灯变回 E-Lumen 灯的第一种颜色。

注意: (1) 电池更换—翻转遥控器并将旁边的锁扣向右推来打开电池扣。遥控器使用CR2032型号的电池, 电池寿命为6个月。

(2) 改变E-Lumen X模式或者E-Lumen模式后, 必须关闭控制箱的总开关, 等待3分钟然后再打开开关。



2) Remote ColorTouch Handset

Each control box is associated with a ColorTouch remote control. You would need to have control box nearby the remote handset.

- Learning process of remote: switch off main power button of the box before pressing the learn key of box. Then switch on main power button and pressing the learn key of the box, the learn key display is flash white. While keep pressing learn key of box, pressing any key on the remote handset. When success link, the display on the remote is red momentarily and learn key display of box is out.
- If there is one remote for multiple control box, repeat the learning process to each control box.

The Remote has two control modes :

A) E-Lumen X mode-It is the default control mode after learning.

- The display LED under at the center of color wheel will be flashed in Red color for any touch command on the remote.
- The ColorTouch remote choose direct color pick up just by touch the color area.
- The rainbow color key is a toggle key for multiple modes of auto color change.
- There are three level of brightness for light brightness adjustment by touch the desired brightness button.
- Z1, Z2 and ALL are ON/OFF switch to ON/OFF Zone 1, Zone 2 and both Zones. The reset key will turn Z1 and Z2 lights back to Cool White. It will take three seconds to the light up after switch off.
- Touch any key three seconds to display light ON/OFF.

2) 触摸遥控器

每一个控制箱都与一个遥控器相关联, 你需要遥控器在控制箱附近。

- 学习过程: 在按下控制箱的学习键之前先关掉总开关。然后打开总开关并按下控制箱学习键, 学习指示灯白色闪烁。保持按着控制箱上的学习键, 然后按下遥控器上的任意键。当连接成功时, 遥控器上的指示灯红色闪一下和控制箱学习灯熄灭。
- 如果一个遥控器控制多个控制箱, 对每个控制箱重复学习过程。

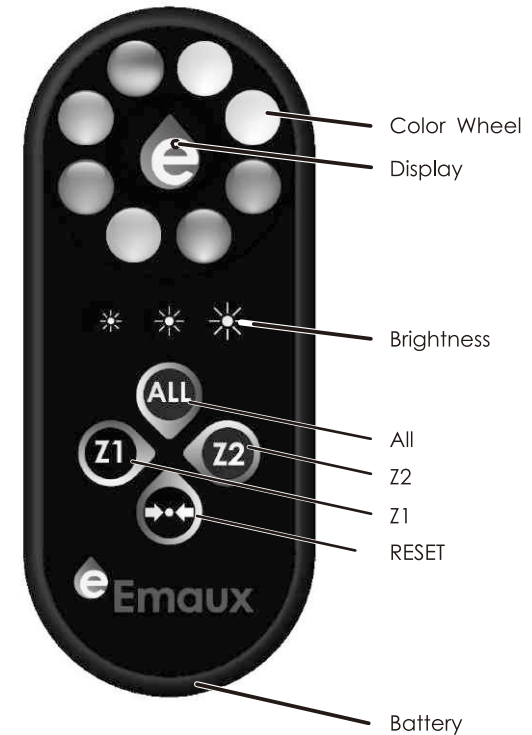
遥控器有两种控制模式。

A) E-Lumen X模式-学习后默认的控制模式。

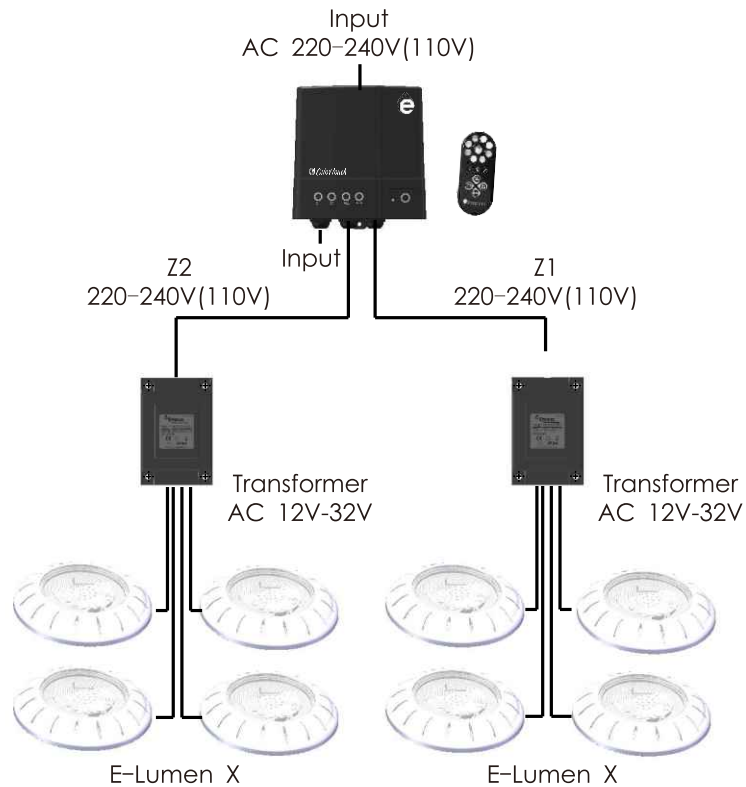
- 触摸遥控器时在色环中心下面的指示灯会闪烁红色。
- 色彩遥控器通过触摸区域可以直接选择颜色。
- 多彩按键是一个渐变模式的切换键。
- 水灯的亮度调节有三个等级, 可通过触摸按钮来调节。
- Z1.Z2 和 ALL 可以分别开关 Z1 路 .Z2 路和双路。复位键可以重置 Z1.Z2 的水灯为白色。关闭后需等待 3 秒才能重新亮灯。
- 触摸任意键 3 秒可关闭或打开指示灯。



— REMOTE FUCTION 遥控器特点



WIRING DIAGRAM 接线示意图



Attention:

- 1) Load of the control box should not exceed 2*300W.
- 2) The control box out voltage is 220~240Vac(110Vac) same as the power socket, it must be connected to 12V-32Vac step down over transformers.
- 3) Please refer to the lamp power rating to choose adequate power rating transformer.

注意: 1) 单个控制箱负载总功率小于2*300W。

- 2) 控制箱输出和电源一样是220-240Vac(110Vac),必须接到12V-32Vac变压器。
- 3) 请参考灯具的额定功率来选用足够额定功率的变压器。

CONTROLS INDEX 控制方法

1) Control Box Panel Operation

- Switch on the Main Power Switch to turn on the power, the Standby Button LED will light up.
- Press the Standby Button, and the system is entered to operation mode.
- Z1 Button - Long Press (3 second) to switch ON / OFF Z1 power. And short press (1 second) to change color for all the pool lights, connected to the Z1 outlet, the Z1 Button LED is flash at the monment.
- Z2 Button - Long Press (3 second) to switch ON / OFF Z2 power. And short press (1 second) to change color for all the pool lights, connected to the Z2 outlet, the Z2 Button LED is flash at the monment.
- ALL Button - Long or short press to change color for all the pool lights, connected to the Z1 and Z2 outlet, the ALL Button LED is flash at the monment.
- RESET Button - Press the button to reset all the pool lights connected to Z1 & Z2 to cool white color.

1)控制箱面板操作

- 打开总电源开关接通电源待机键灯亮起。
- 按下待机键，系统进入操作模式。
- 长按（3秒）打开或关闭 Z1 模式电源。短按（1秒）改变连到 Z1 接口的整个池水灯，此时 Z1 键灯在闪烁。
- 长按（3秒）打开或关闭 Z2 模式电源。短按（1秒）改变连到 Z2 接口的整个池水灯，此时 Z2 键灯在闪烁。
- 长按或短按改变连到 Z1 和 Z2 接口的整个池水灯，此时 ALL 键灯在闪烁。
- 复位键 - 按下可复位连接 Z1 & Z2 的所有泳池水灯到白色状态。

