

Control 控制说明

- 1) When the light is connected to the transformer directly, the on/off switch controls the colour changes (Associating a light with a transformer and an on/off switch is recommended; If you want all the lights to change colour at the same time, install a master switch, Figure 9). (水灯直接接变压器, 根据开关来实现以上颜色变化。(我们建议一个水灯配一个变压器, 装一个开关; 如果想所有的灯同时变化颜色, 就在所有开关的前面装一个总电源开关。(如图9))
- 2) If applicable, when the light is connected to the transformer and the transformer to the optional control box, the control panel on the control box and its remote control controls the colour changes (See the Control Box Manual for details). (变压器接控制箱, 水灯再接变压器, 根据控制箱的按键和遥控器来实现以上颜色变化。(详情请见控制箱说明书))

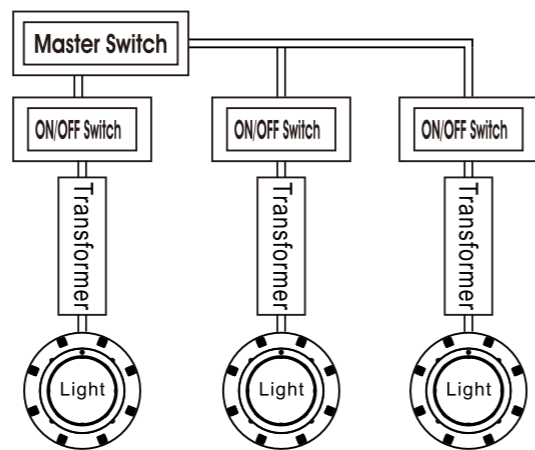


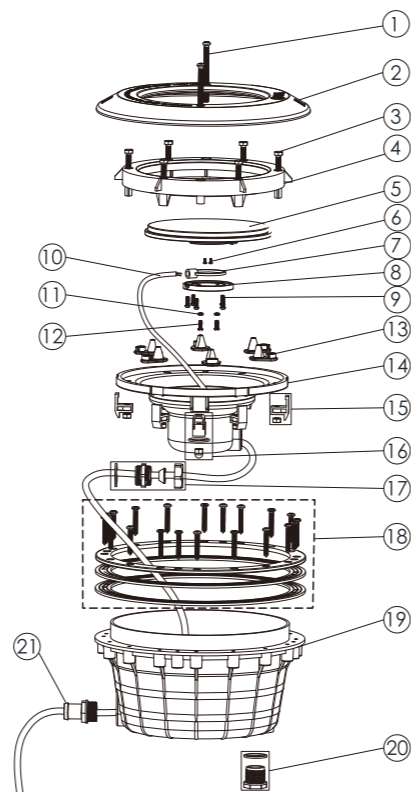
Figure 9 (图9)

Maintenance of the Lights 水下灯的保养与维护

- Do not leave the lights "on" above water for longer than 1 minute. (水下灯不可以没有水的情况下点亮超过1分钟)
- Do not leave the lights directly under sunlight. Fill the pool with fresh water as soon as possible after the lights are installed. (水灯装好到泳池内, 应尽快将泳池内注满水, 水下灯不可以长时间在太阳光下曝晒)
- Before switching on the lights, check whether the lights are fully submerged underwater and the circuit boxes are running properly. (装好水下灯点亮前, 要检查水灯是否完全浸在水中, 电箱和电路是否正常)
- This unit does not need any kind of maintenance. If it is not working properly, please contact EMAUX authorized dealer where you purchase the unit from. (此产品不需要任何维修, 如果不正常工作, 请联系你购买此产品Emaux授权的经销商)
- Warranty will be voided if the Emaux Underwater Light was dismantled by unauthorized personnel. (如果Emaux水下灯被未经授权人拆卸则保修视为无效)

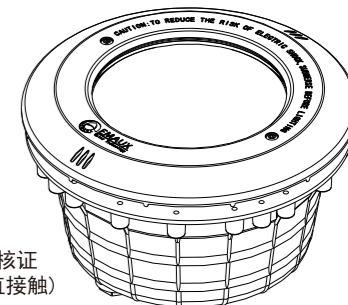
REPLACEMENT PARTS 零部件清单

Item No.	Part No.	Description Chinese	Description English	Qty
1	03011326	平头机丝 (M6*80)	M6*80 Screws	2
2	03017075	不锈钢面盖 (EMAUX)	Stainless Steel Lid (EMAUX)	1
	01050008	面盖 (EMAUX)	Plastic Lid (EMAUX)	1
3	03011327	外六角螺丝 (M6*55)	M6*55 Hexagon Head Screws	6
4	01100011	压紧环	Face Ring	1
5	04011153	暖光 (252颗灯珠, 20W) 灯盘	Ultra-Thin 252 LED panel 20W, Warm white	1
	04011151	白光 (252颗灯珠, 20W) 灯盘	Ultra-Thin 252 LED panel 20W, Cool white	
	04011152	彩光 (252颗灯珠, 20W) 灯盘	Ultra-Thin 252 LED panel 20W, RGB	
	04011150	蓝光 (252颗灯珠, 20W) 灯盘	Ultra-Thin 252 LED panel 20W, Single Blue	
	04011107	暖光 (441颗灯珠, 35W) 灯盘	Ultra-Thin 441 LED panel 35W, Warm white	
	04011105	白光 (441颗灯珠, 35W) 灯盘	Ultra-Thin 441 LED panel 35W, Cool white	
	04011106	彩光 (441颗灯珠, 35W) 灯盘	Ultra-Thin 441 LED panel 35W, RGB	
	04011104	蓝光 (441颗灯珠, 35W) 灯盘	Ultra-Thin 441 LED panel 35W, Single Blue	
	04011181	暖光 (531颗灯珠, 50W) 灯盘	Ultra-Thin 531 LED panel 50W, Warm white	
	04011179	白光 (531颗灯珠, 50W) 灯盘	Ultra-Thin 531 LED panel 50W, Cool white	
04011180	彩光 (531颗灯珠, 50W) 灯盘	Ultra-Thin 531 LED panel 50W, RGB		
04011178	蓝光 (531颗灯珠, 50W) 灯盘	Ultra-Thin 531 LED panel 50W, Single Blue		
6	03011360	M3*5圆头机丝	M3*5 round head screw	2
7	02021085	硅胶圆形胶圈	Silica gel ring	1
8	01050105	灯盘底壳盖	Bottom cover	1
9	03011361	M4*10圆头平底自攻螺丝	M4*10 round head self-tapping screw	5
10	04013004	2*1.5mm ² *2.5m (D8) 电缆线	2*1.5mm ² *2.5m (D8) Cable	1
11	02010285	丁腈圆形胶圈	NBR ring	2
12	03012125	M4*10扁头平底自攻螺丝	M4*10 flat head self-tapping screw	2
13	01051253	定位块	fixed position plate	6
14	01230003	防水壳	Waterproof Cover	1
15	89041602	压紧块连螺母	Nut Fitting	6
16	89041603	紧固件套件	Fastening Dog	2
17	89041604	防水套件	Water Joint Fittings for Cable	1
18	89041608	纤维池配件	Vinyl pool fitting for NP300	1
19	01050010	底壳	NP300 Lights Niche	1
20	89041605	塞头连胶圈	Plug with O-Ring	1
21	01171106	线管接头	Joint for wire & pipe	1



EL-NP300 Series Underwater Light User Manual

EL-NP300系列水灯用户手册



SAFETY WARNINGS 安全警告

Only qualified electrician is allowed to carry out the installation of this product. (必须由持牌或经过核证的电工或专业的泳池安装人员才能进行安装) Avoid direct contact with electrical power. (避免与电源直接接触) Respect all regulations in effect for preventing accidents. (遵循所有规则防止引起事故)

All units are required to be disconnected from the main electricity before any operation of maintenance. (在维修和安装水灯前, 要断开总电源)

Never handle with wet hands and feet. (不能够用湿的手脚操作)

This unit is design for use only when fully submerged in fresh water, connecting with a safety transformer (此产品是设计完全用于完全浸泡于清水中, 连接认可的安全隔离LED驱动器)

Never operate this Underwater Light for more than 1 minute unless it is totally submerged in water. (不要超过1分钟操作, 除非完全浸泡于水中)

Be sure power is off before installing or removing LED plate. Allow LED plate to cool before replacing. (在安拆灯盘之前确保电源已关掉, 灯盘降温后才允许更换)

This product should be installed according to your local electrical installation ordinances and regulations. (应遵守当地用电安装条例和规则安装此产品)

Maximum Depth for Light installation at 1 meter (水灯安装离水面最深为1m).

Maximum Water Temperature Range for light operation 0 - 30°C (水温度范围0-30°C)

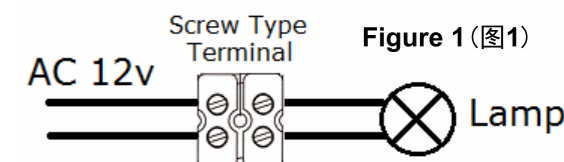
SPECIFICATION 规格

- 1) Voltage : AC12V
 - 2) Frequency : 50/60Hz
 - 3) Power : 20W / 35W / 50W. (水灯参数: 电压: AC 12V 频率: 50/60Hz 功率: 20W /35W /50W.)
- B) Colour change options (For RGB version only) (水灯的颜色变化功能, 仅限于彩光款):

1	White (白色)	2	Green (绿色)
3	Blue (蓝色)	4	Green+Blue (绿色+蓝色)
5	Red+Green (红色+绿色)	6	Red+Blue (红色+蓝色)
7	Mode A: Blue+ Gradual Red (渐变模式A: 蓝色长亮+红色渐变)	8	Mode B: Green+Gradual Red (渐变模式B: 绿色长亮+红色渐变)
9	Mode C: Blue+Gradual Green (渐变模式C: 蓝色长亮+绿色渐变)	10	Mode D: Blue+Gradual Red (渐变模式D: 蓝色长亮+红色渐变)
11	Mode E: RGB Colour Sequence: Red>Green>Blue (渐变模式E: 红绿蓝渐变)	12	Auto Colour Change (快速变化, 自由发挥)
13	Mode F: Four Colour Sequence: Red>Green>Blue >Purple (渐变模式F: 红绿蓝紫四色渐变)	14	Rapid Auto Colour Change (快速跳变, 自由发挥)

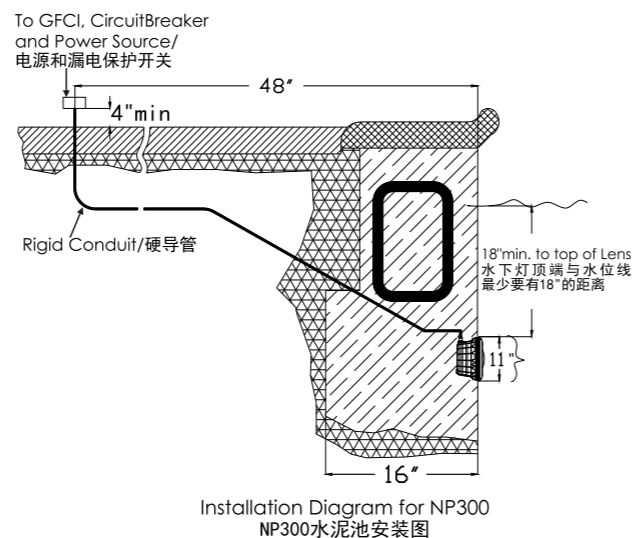
General Information 一般资料

- Never install in vertical position with the lamp facing upwards / downwards.
 - Intended for fresh & salt water swimming pool
- A) Ensure that the electrical system of your pool conforms to the following requirements of all local codes and ordinances. A licensed or certified electrician must install the electrical system to meet or exceed those requirements before the niche (fixture-housing) is installed.**
- B) Installation Guideline:**
- 1) The top of the light lens be at least 18 inches (457mm) below the water level. Some installers position the niche 24 inches (610mm) below anticipated water level to avoid any inspection authority issues with this requirement.
 - 2) The lighting circuit must have a Ground Fault Circuit Interrupter (GFCI), and an appropriately rated circuit breaker.
 - 3) The junction box or the low voltage transformer is located at least 8 inches (203mm) above water level and at least 48 inches (1912mm) from the edge of the pool
 - 4) The light fixture and all metal items within 5 feet (1534mm) of the pool must be properly electrically bonded.
 - 5) The niche must be properly installed so that the "Top" sign inside is at the 12 o'clock position and that the top edge of the underwater light's lens is at least 18 inches (457mm) below the surface of the water in the pool
 - 6) The niche is properly electrically bonded and grounded via a ground connector located at the rear of the niche
- C) Terminal Block must meet the IEC60988-2-1 standard having the rated connecting capacity of 4.0mm², use of screw type terminal at least 25A rated current, mounted inside junction boxes, see figure 1 below**
- D) Use only EMAUX lighting fixtures in this niche to ensure proper bonding and grounding connections.**
- ø (For US user, please also follow the requirements of the National Electrical Code (NEC))



- 切勿垂直安裝（燈罩向上/向下），
- 應用於淡水和鹽水游泳池

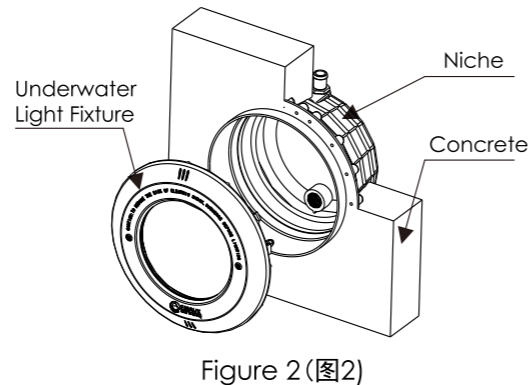
- A) 確保您的游泳池電氣系統符合當地的安全法規和條例。安裝底壳之前，必須由經許可或認可的電工來安裝電氣系統，以滿足或超過這些要求。
- B) 安裝指引：
- 1) 透光鏡的頂部至少在水位18英寸（457毫米）以下。有些人把底壳安裝在水位24英寸（610毫米）以下，以避免違反任何安全要求。
 - 2) 照明電路必須有一個接地故障斷路器（漏電開關，GFCI），並有一個適當的額定斷路器。
 - 3) 接線盒或低電壓變壓器的安裝位置最少高於水位8英寸（203毫米）以上的，距離泳池邊緣至少48英寸（1921毫米）。
 - 4) 在泳池18英寸（457毫米）範圍內的燈具和所有的金屬，必須妥善連接。
 - 5) 底壳必須正確安裝，底壳內的“TOP”標誌必須在12點鐘位置，而頂部至少在水位18英寸（457毫米）以下。
 - 6) 底壳後方有接地件，底壳必須正確接地。
 - 7) 接線端子必需符合IEC60988-2-1標準，接線規格是 4.0mm²，螺絲型接線，標示電流最少達25，固定在接線盒內，見圖1。
 - 8) 底壳只可使用 EMAX燈具，以確保正確連接和接地。
(美國用戶——請遵從NEC標準的安裝要求)



Niche Installation 底壳安

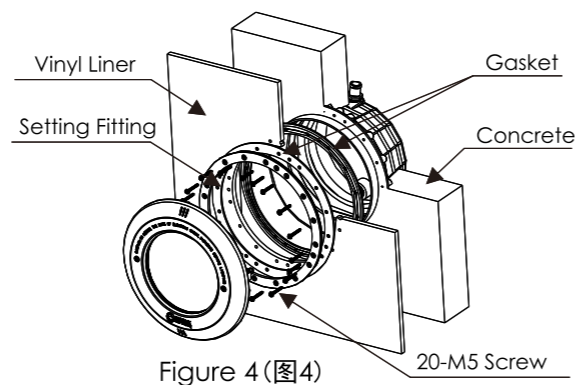
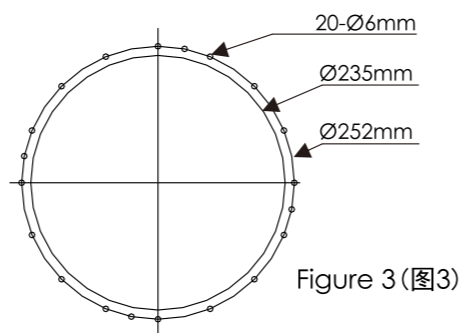
Concrete swimming pool 水泥池

- 1) To install the underwater lighting in a concrete swimming pool, the niche should be fixed in the wall of the swimming pool. Be sure the top of the niche be at least 18 inches (457mm) below the water level, and the TOP sign of the niche is at the 12 o'clock position.
 - 2) There are two conduits at the back of the niche, please chose one which is most convenient to your wiring design and seal the other one with the plug provided.
 - 3) Concreting the pool as shown in figure 2.
- 1) 要在有水泥游泳池安裝水下燈，底壳必須安裝在牆上。透光鏡的頂部至少在水位18英寸（457毫米）以下，水下燈面蓋的“TOP”標誌必須安裝在12點鐘位置。
 - 2) 底壳有兩個接線口，請選擇一個最適合你的接線口位置，而把另一個接線口封着。
 - 3) 如圖2所示，注入水泥的。



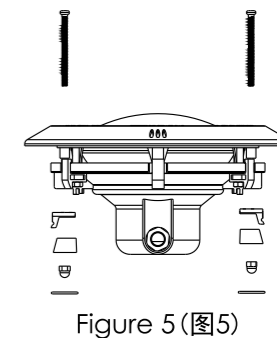
Concrete swimming pool with vinyl liner 水泥池(有聚乙烯布)

- 1) To install the underwater lighting in a concrete swimming pool with vinyl liner, the niche should be fixed in the wall of the swimming pool. Be sure the top of the niche be at least 18 inches (457mm) below the water level, and the TOP sign of the niche is at the 12 o'clock position.
 - 2) There are two conduits at the back of the niche, please chose one which is most convenient to your wiring design and seal the other one with the plug provided.
 - 3) Punch or drill the holes in the vinyl liner as stated in figure 3.
 - 4) Install the Niche as shown in figure 4.
- 1) 要在有聚乙烯膠布的水泥池安裝水下燈，底壳必須安裝在牆上。透光鏡的頂部至少在水位18英寸（457毫米）以下，水下燈面蓋的“TOP”標誌必須安裝在12點鐘位置。
 - 2) 底壳有兩個接線口，請選擇一個最適合你的接線口位置，而把另一個接線口封着。
 - 3) 如圖3所示，為聚乙烯膠布打洞。
 - 4) 如圖4所示，安裝水下燈。



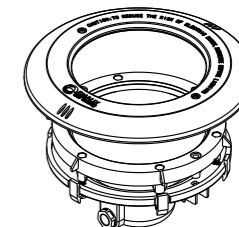
Stainless steel lid and plastic lid interchange 不銹鋼面蓋與塑料面蓋互換

- 1) Remove the old lid by unscrewing the two M6 screw on the lid. Note that the O ring, nuts slide block and the fastening dog will be loosen too by removing the M6 screws on the lid, as shown in figure 5.
 - 2) Install the new plastic lid or stainless steel lid as shown in figure 6, make sure the screws hole are aligned. Fasten the M6 screw on the lid.
- 1) 先按圖5依次將膠圈、螺母、滑塊、緊固件、螺絲取出。
 - 2) 再按圖6將面蓋取下來進行更換。



Underwater light fixture installation 安裝水下燈

- 1) Feed cord through conduit to junction box, leaving at least 59 inches (1500mm) of cord at the light fixture to coil around the back of the light, such that the light fixture would be bought back to the pool deck for service.
 - 2) Make the wire connection to the junction box.
 - 3) Insert the entire underwater light fixture into the niche. In order to obtain good pool lighting it is important that the company logo of Emaux of the lid is located on the 6 o'clock position.
 - 4) Screw in the two M6 x 75 screws on the lid until the fastening dog is secured in the inner walls of the niche as shown in figure 7.
 - 5) Before operating the light for more than 10 seconds, fill the pool with water until the underwater light is completely submerged in water. To check for proper operation, turn on main street or circuit breaker as well as the switch that operates the underwater light itself.
- 1) 把水下燈穿過接線口到接線盒，把至少59英寸（1500mm）的線繞在燈背後，以方便日後把水下燈帶回泳池面維修。
 - 2) 在接線盒把電線連接。
 - 3) 到整個水下燈具插入底壳內。為了獲得良好的照明效果，確保Emaux公司標誌位於6點位置。
 - 4) 擰緊面蓋子上的兩顆M6x75螺釘，直到把安裝水固定在底壳內。（圖7）
 - 5) 如需要開啟水下燈超過10秒，必須先為泳池注水，直到完全淹沒水下燈在水中。要檢查正確操作，打開主電源或斷路器，以及水下燈本身的開關。



Lamp Replacement 更換燈盤

- 1) To remove the underwater light to the pool deck, loosen the two screws on the lid until the fastening dog yields sufficiently so that the underwater light unit can be separated from the niche.
- 2) Unscrew the 6 nuts which secure the lid to the base of the underwater light as shown in figure 8.
- 3) To take out the fixed position plate from panel to replace the LED panel.

- 1) 鬆開擰緊面蓋子上的兩顆M6X75螺釘，把水下燈帶到泳池面維修。
- 2) 鬆開水下燈背後的6螺母，把面蓋和防水壳打開。（圖8）
- 3) 把燈盤上的定位塊取出即可以更換燈盤。

