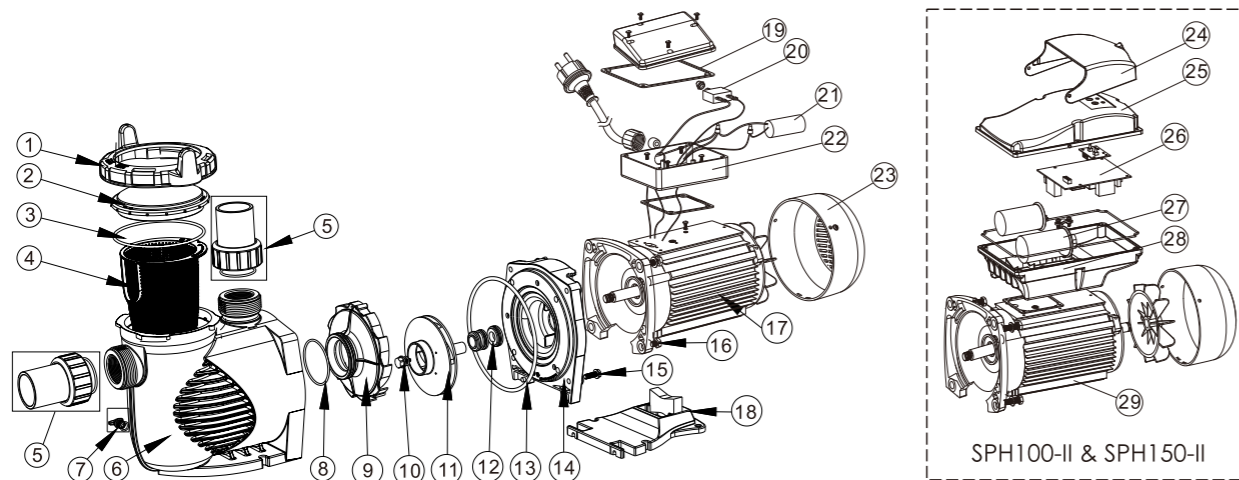
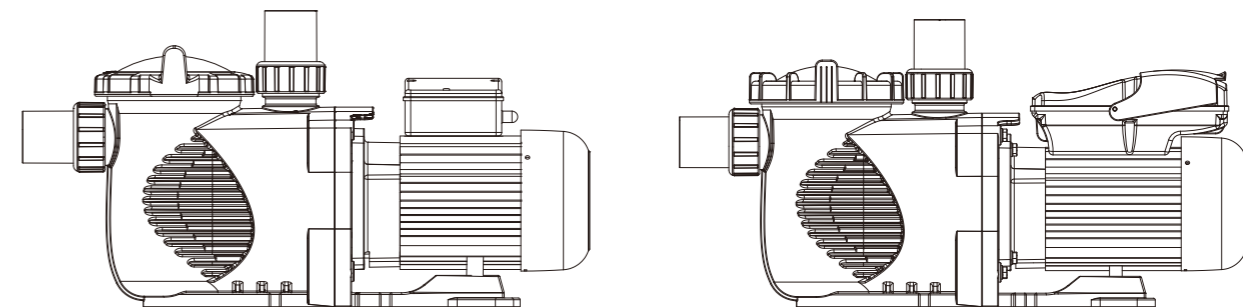


PUMP PARTS 水泵组件



Item	Part No.	Description English	产品描述	Qty
1	01021143	Nut for Lid	透明盖螺母	1
2	01041057	Transparent Lid	透明盖	1
3	02010253	O-Ring for Lid	透明盖胶圈	1
4	01112080	Basket	过滤篮	1
5	89023801	1.5"Union	1.5"活接	2
6	01021144	Pump body	泵体	1
7	89021307	Drain Plug With O-ring	扭制连胶圈	2
8	02010245	O-Ring for Diffuser	分水轮胶圈	1
9	01112081	Diffuser	分水轮	1
10	89020719	Screw for impeller with O-ring	水叶螺丝连胶圈(英制)	1
11	01311057	Impeller for SPH075 (50Hz)	SPH075水叶(50Hz)	1
11	01311047	Impeller for SPH100 (50Hz)	SPH100水叶(50Hz)	1
11	01400103	Impeller for SPH150 (50Hz)	SPH150水叶(50Hz)	1
11	01400100	Impeller for SPH200 (50Hz)	SPH200水叶(50Hz)	1
11	01400101	Impeller for SPH300 (50Hz)	SPH300水叶(50Hz)	1
11	01311059	Impeller for SPH075 (60Hz)	SPH075水叶(60Hz)	1
11	01311057	Impeller for SPH100 (60Hz)	SPH100水叶(60Hz)	1
11	01311058	Impeller for SPH150 (60Hz)	SPH150水叶(60Hz)	1
11	01311047	Impeller for SPH200 (60Hz)	SPH200水叶(60Hz)	1
11	01400103	Impeller for SPH300 (60Hz)	SPH300水叶(60Hz)	1
12	04015065	3/4" Mechanical seal	3/4" 机械密封	1
13	02010246	O-Ring for Flange	法兰密封胶圈	1
14	01021145	Flange	法兰	1
15	89020720	M8*35 Screw with Washer for Motor	M8*35外六角螺丝连垫片	4
16	03011075	M8*30 Screw	M8*30外六角螺丝连垫片	4
17	04020116	Motor YYD-8022E for SPH075 220V 50Hz/60Hz	YYD-8022E电机 SPH075 220V 50Hz/60Hz用	1
17	04020117	Motor YYD-8032E for SPH100 220V 50Hz/60Hz	YYD-8032E电机 SPH100 220V 50Hz/60Hz用	1
17	04020118	Motor YYD-8042E for SPH150 220V 50Hz/60Hz	YYD-8042E电机 SPH150 220V 50Hz/60Hz用	1
17	04020119	Motor YYD-8052E for SPH200 220V 50Hz	YYD-8052E电机 SPH200 220V 50Hz用	1
17	04020120	Motor YYD-8062E for SPH300 220V 50Hz	YYD-8062E电机 SPH300 220V 50Hz用	1
17	04021123	Motor YYD-8052EE for SPH200 220V 60Hz	YYD-8052EE电机 SPH200 220V 60Hz用	1
17	04021124	Motor YYD-8062EE for SPH300 220V 60Hz	YYD-8062EE电机 SPH300 220V 60Hz用	1
17	104017401	Motor YYD-8032ES for SPH100 380V 50Hz	YYD-8032ES电机 SPH100 380V 50Hz用	1
17	104016002	Motor YYD-8042ES for SPH150 380V 50Hz	YYD-8042ES电机 SPH150 380V 50Hz用	1
17	104016003	Motor YYD-8052ES for SPH200 380V 50Hz	YYD-8052ES电机 SPH200 380V 50Hz用	1
17	104016004	Motor YYD-8062ES for SPH300 380V 50Hz	YYD-8062ES电机 SPH300 380V 50Hz用	1
18	01112082	Base	底座	1
18	02010211	Arch Cushion for Base	底座支撑垫	1
19	02011073	Arch Cushion for Cable Box	接线盒盖胶圈	1
20	04015015	Overload Switch PE77-8A/250VAC for SPH150	SPH150过流保护器	1
20	04015012	Overload Switch PE77-10A/250VAC for SPH200	SPH200过流保护器	1
20	04016037	Overload Switch PE77-13A/250VAC for SPH300	SPH300过流保护器	1
21	04016012	Capacitor for SS/SD/SQ/SP/ST100-120 & SC075 & SPH075 Pump	电容450V/20UF/50/60Hz SPH075用	1
21	04016014	Capacitor for SB/SR10,SB15 & SC100-150 & SPH100-150 Pump	电容450V/25UF/50/60Hz SPH100 SPH150用	1
21	04016015	Capacitor for SB/SR20 & SC/EPH200 & SPH200 Pump	电容450V/30UF/50/60Hz SPH200用	1
21	04016016	Capacitor for SB/SR30 EPH300,EPH400 & SPH300 Pump	电容450V/35UF/50/60Hz SPH300用	1
22	89022112	Cable Box	接线盒	1
23	01321031	Fan Cover	电机尾罩	1
24	4202870009	Transparent Cover for box	水泵接线盒盖透明盖	1
25	4202870008	Wire box top cover	水泵接线盒盖	1
26	106255867	Operation PCB	按键电子板	1
26	106255868	Main PCB	电子板主板	1
27	106241431	Capacitor 16 uF for SPH100-II /SPH150-II	电容450V/16UF SPH100-II /SPH150-II用	1
27	106245866	Capacitor 30uF for SPH100-II /SPH150-II	电容450V/30UF SPH100-II /SPH150-II用	1
28	4202770008	Wire box bottom cover	水泵接线盒身	1
29	104005869	Motor YYD-8032TE for SPH100-II	YYD-8032TE电机 SPH100-II用	1
29	1040070057	Motor YYD-8042TE for SPH150-II	YYD-8042TE电机 SPH150-II用	1

SPH Series Centrifugal Pump Installation & Operation Instructions SPH系列离心式水泵安装及操作说明



INSTALLATION 安装说明

Only qualified, licensed personnel should install pump and wiring.
只有经过培训鉴定合格的电工人员才能对水泵进行安装和配线。

IMPORTANT ELECTRICAL

Electrical Contractors Please Note: The pumps must be wired to the main power supply through an approved technicians & contactor.

电源安装提示

施工单位请注意：此水泵电源布线必须通过专业的电力安装单位认可。

Pump Mount Must:

- ❖ Mounted on solid firm base.
- ❖ Place pump close to the pool. Don't install the pump at more than 3M geometrical height from water level)
- ❖ Allow for gate valves in suction and discharge piping.
- ❖ Have adequate floor drainage to prevent flooding.
- ❖ Be protected from excess moisture.
- ❖ Have adequate access for servicing pump and piping.

NOTICE:

Pump suction and discharge connections have moulded in thread stops, **DO NOT** try to screw pipe in beyond these stops.

安装水泵注意事项:

- ❖ 必须在一块坚硬平坦的表面位置安装。
- ❖ 使用一个简短而直接的管道系统(减少水流量的损失),水泵安装的位置不能高于水面3米。
- ❖ 在进水口和出水口各安装一个阀门。
- ❖ 机房位置的排水系统良好。
- ❖ 防止机房过于潮湿。
- ❖ 为便于检修水泵和管道,机房必须预留足够的空间。

注意：水泵的进水口及出水口与水管相连接的接头扭紧即可，不能扭太紧。

OPERATION 操作简介

- ▲ **NEVER** dry run the pump! Running pump dry may damage seals, causing leakage and flooding! Fill pump with water before starting motor.
- ▲ Before removing lid:
 - ❖ STOP THE PUMP before proceeding.
 - ❖ CLOSE THE GATE VALVES in suction and discharge pipes.
 - ❖ RELEASE ALL PRESSURE from pump and piping system.
 - ❖ NEVER tighten or loosen screws while pump is operating.
- ▲ Do not block pump suction! To do so with body may cause severe or fatal injury. Small children using pool must ALWAYS have the adult Supervision!



- ▲ 水泵内没有水, 请勿启动。否则会损坏轴密封, 导致水泵漏水或水浸。在启动电机前, 确保泵内的水已注满。
- ▲ 打开螺母面盖前, 应该注意:
 - ❖ 关闭水泵的电源,
 - ❖ 关闭进水口和出水口的阀门,
 - ❖ 排出水泵和水管内的气压。
 - ❖ 当水泵运行时, 不能松紧水泵的螺丝。
- ▲ 游泳者不要阻塞泳池的排水口, 这会导致伤害或死亡。小孩游泳时必须由成人监管。

Priming Pump:

- ❖ Release all air from filter and piping system: see filter owner manual.
- ❖ In a flooded suction system (water source higher than pump), pump will prime itself when suction and discharge valves are opened.
- ❖ If pump is not in a flooded suction system, unscrew and remove the cover; fill water into the pump.
- ❖ Clean and inspect Ring; re-install the cover.
- ❖ Replace the cover on trap; turn clockwise to tighten cover.

NOTICE: Tighten the cover by hand only.

Turn the pump on a run until prime is established. Priming time will depend on vertical length of suction lift and horizontal length of suction piping.

起动水泵:

- ❖ 排放所有来自过滤器和管道系统内的空气, 参阅过滤器的用户手册。
- ❖ 当泳池的水位高于水泵的位置时, 打开进水口和出水口的阀门, 启动水泵。
- ❖ 如果泳池的水位低于水泵的位置时, 打开面盖, 注满泵内的水后才再启动。
- ❖ 清洁和检查密封圈, 再放回面盖。
- ❖ 放上面盖后, 顺时针方向旋转拧紧面盖。
注意: 扭紧螺母面盖只能用手(或扳手), 必要时才用扳手。
水泵的起动时间取决于垂直高度的提升力和吸水管的管径。

ROUTINE MAINTENANCE 保养程序

The only routine maintenance needed is inspection/cleaning of the basket. Debris or trash that collects in basket, will close off water flow through the pump. Follow instructions below to clean prefilter:

- 1) Stop pump, close gate valve in suction and discharge, and release all pressure from system before proceeding.
- 2) Unscrew prefilter lid (turn counterclockwise).
- 3) Remove strainer basket and clean. Be sure all holes in basket are clear, flush basket with water and replace in prefilter with large opening at pipe connection port (between ribs provided). If basket is replaced backwards cover will not fit on the trap body.
- 4) Clean and inspect lid Ring; reinstall on the cover.
- 5) Clean the nut for lid. To help keep lid from sticking, tighten with hand only.
- 6) Prime pump (see priming instructions above)

常规的保养就是检查和清洁隔发器。垃圾或碎屑聚积于隔发器的滤水篮, 会堵塞流入水泵的水。清理步骤如下:

- 1) 关闭水泵的电源和进水口、出水口前的阀门, 排出各系统内的气压。
- 2) 扭开面盖。
- 3) 取出隔发器的滤水篮清洗干净, 保证滤水篮的每个空隙都是清洁的, 再将滤水篮放进桶内并注满水, 这个桶在进水处有一个极大的开口, 如果滤水篮放置不当, 和桶身就不能吻合。
- 4) 清洁和检查透明盖的密封圈, 再装上桶盖。
- 5) 清洁密封圈的周边后装回原处。
- 6) 起动水泵(参阅水泵的起动程序)。

SERVICE & REPAIR PARTS 维修和配件的更换

Contact the local dealer for servicing and ordering spare parts. Give the following information when ordering spare parts:

- 1) Product ID Number & Description.
- 2) Part ID Number & Description.

向当地代理商或经销商索取设备的技术资料, 这些资料能证明授权资格的真实性。向代理商定购所需的维修配件, 定购配件时需提供下面的资料:

- 1) 设备标示牌的数据或产品编号。
- 2) 部件名称。

TROUBLE SHOOTING 故障分析

MOTOR DOES NOT START

- 1) Switch or circuit breaker in off position
 - 2) Fuses blown or thermal overload open
 - 3) Locked motor shaft
 - 4) Motor windings burned out
 - 5) Defective starting switch inside single phase motor
 - 6) Disconnected or defective wiring
 - 7) Low voltage
- 马达不能启动
- 1) 电源断开或断路。
 - 2) 保险丝熔断或机件过热。
 - 3) 轴承卡死。
 - 4) 马达线圈烧坏。
 - 5) 过流保护或热保护。
 - 6) 电线连接不良或损坏。
 - 7) 电压不足。

PUMP DOES NOT REACH FULL SPEED

- 1) Low voltage
 - 2) Pump connected for wrong voltage
- 水泵未达到最佳状态
- 1) 电压不足。
 - 2) 电源与水泵电压不符。

MOTOR OVERHEATS (protector trips)

- 1) Low voltage
 - 2) Motor windings connected for wrong voltage on dual voltage model
 - 3) Inadequate ventilation
- 马达过热
- 1) 电压不足。
 - 2) 工作电压与电机电压不符。
 - 3) 通风环境不佳。

PUMP DELIVERS NO WATER

- 1) Pump is not primed
- 2) Closed valve in suction or discharge line
- 3) Leakage or air into suction system
- 4) Impeller clogged

水泵不能抽水

- 1) 水泵没有启动。
- 2) 进水或出水管阀门关闭。
- 3) 管道系统无水或空气进入。
- 4) 水叶损坏。

LEAKAGE OF WATER AT SHAFT

- 1) Shaft seal requires replacement
- 漏水
- 1) 更换密封圈。

LOW PUMP CAPACITY

- 1) Valve in suction or discharge line partly closed
- 2) Suction or discharge line partly plugged
- 3) Suction or discharge line too small
- 4) Dirty basket in skimmer
- 5) Dirty sand filter
- 6) Impeller clogged

水泵在低性能下运行

- 1) 进水或出水管的阀门未完全开启。
- 2) 进水或出水管部分堵塞。
- 3) 进水管或出水管太细。
- 4) 头发或杂物淤积于滤水篮。
- 5) 过滤器沉积物太多。
- 6) 水叶被阻塞。

HIGH PUMP PRESSURE

- 1) Discharge valve or inlet fittings closed too much
- 2) Return lines too small
- 3) Filters need backwashing

水泵压力过大

- 1) 进水管或出水管的阀门未完全开启。
- 2) 回水管太细。
- 3) 过滤器沉积物太多。

NOISY PUMP AND MOTOR

- 1) Dirty basket in skimmer or prefilter
- 2) Worn motor bearings
- 3) Dirt around the impeller and impeller cover
- 4) Suction line partly plugged
- 5) Vacuum hose plugged or too small
- 6) Pump not supported properly

水泵和马达噪音

- 1) 头发或杂物淤积于滤水篮。
- 2) 电机轴承损坏。
- 3) 进水管阀门未完全开启。
- 4) 进水管部分堵塞。
- 5) 吸污口堵塞或太细。
- 6) 水泵工作不正常。

AIR BUBBLES AT INLET FITTINGS

- 1) Leakage of air into suction line at connections or valve stem
 - 2) Lid O-ring needs replacing
 - 3) Low water level in pool
- 空气进入管道
- 1) 空气通过接合部位或阀门进入进水管。
 - 2) 须清理滤水篮内的头发及杂物。
 - 3) 泳池的水位低。

NOTE: If the recommendations in the trouble shooting portion of this manual do not solve your particular problem(s), please contact your local dealer for servicing.

备注: 如果说明书中的故障分析仍不能解决您产品的问题, 请与当地经销商联系。