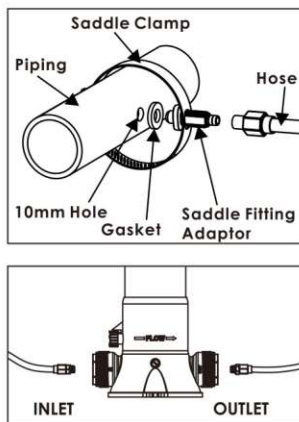
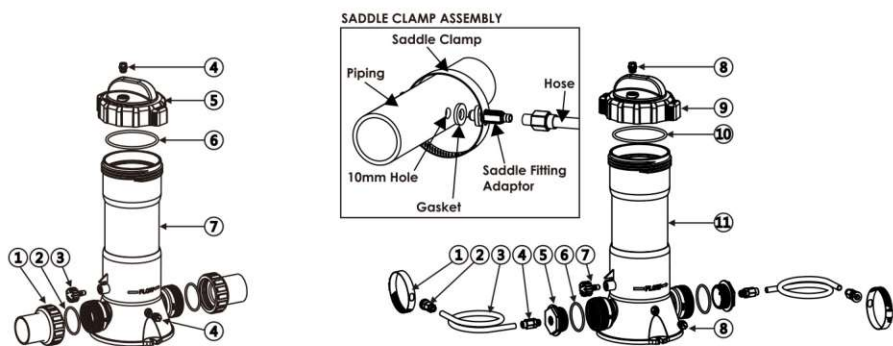


Note: After installation start up the system to perform leakage check, re-tighten if required. The feeder can be fixed onto the installation surface by tapping screws and securing holes in its base.

注意: 安装完毕后启动系统检查泄漏, 有必要时重新上紧。投药器底座设有两处固定位, 可用自攻螺丝将其固定在安装平面上。



PART LIST
零部件清单



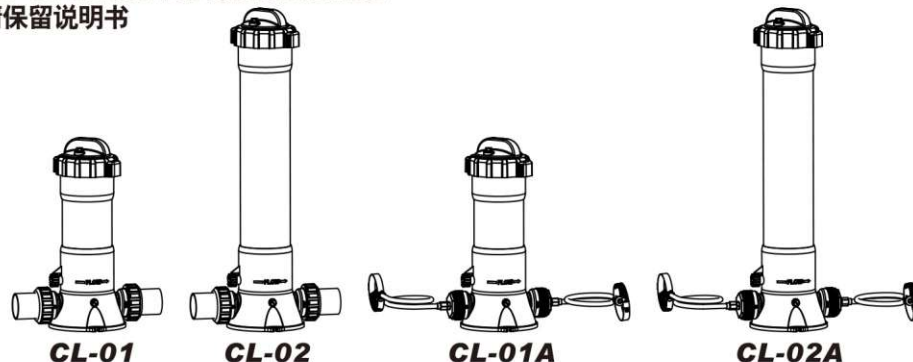
CL-01 / CL-02 Part List				
Item NO. 序号	PART NO. 部件编号	Description English	部件名称	QTY 数量
1	89440201	1.5" Union with Nut	1.5寸公英制管接头连螺母	2
2	02080006	O-Ring	小胶圈	2
3	89440202	Hose with O-Ring	控制阀连胶圈	1
4	89440203	Venting/Drain Screw with O-Ring	排气/排水螺丝连胶圈	2
5	89440204	Lid with Nut	顶盖连螺母	1
6	02080008	O-Ring for lid	大胶圈	1
7	89440205	CL-01 Feeder Body	CL-01 投药器身	1
	89440206	CL-02 Feeder Body	CL-02 投药器身	1

CL-01A / CL-02A Part List				
Item NO. 序号	PART NO. 部件编号	Description English	部件名称	QTY 数量
1	03018153	Hose Clamp	喉箍	2
2	89440207	Saddle Fitting Adaptor	鞍形接头组件	2
3	01150996	2.5m Hose (O.D Ø10)	软管	1
4	89440208	Hose Connector	软管接头组件	2
5	01018051	Threaded Plug	塞头	2
6	02080006	O-Ring	小胶圈	2
7	89440202	Hose with O-Ring	控制阀连胶圈	1
8	89440203	Venting Screw with O-Ring	排气/排水螺丝连胶圈	2
9	89440204	Lid with Nut	顶盖连螺母	1
10	02080008	O-Ring	大胶圈	1
11	89440209	CL-01A Feeder Body	CL-01A 投药器身	1
	89440210	CL-02A Feeder Body	CL-02A 投药器身	1

EMAUX CL Series Automatic Chlorine Feeder

EMAUX CL系列自动投药器

KEEP THE MANUAL FOR FUTURE REFERENCE
请保留说明书



EMAUX CL series automatic chlorine feeder is designed to be used side by side with your filtration system. The feeder is driven by the pressure difference between its outlet and inlet which pushes water through it. It uses slow-dissolve Trichloro-S-Triazinetrione (Tri-Chlor) large or small tablets (or sticks) ONLY. You should NEVER use other type of chemical. CL-01 and CL-01A can hold up to 2kg of tablets while CL-02 and CL-02A can hold up to 4kg. Such capacity should be able to provide 1 to 2 weeks' chlorination for large pools. The feeder has a dial type control valve to adjust the flow rate through itself, by regulating the valve setting and the amount of Tri-Chlor tablets placed in the feeder, the chlorine feed rate needed to maintain the proper chlorine level of your pool can be readily tuned.

EMAUX CL自动投药器是专门设计来与你的过滤系统一起用的。过滤系统出口和入口的压力差会自动把水引到投药器里。只慢溶的三氯乙酸 (Tri-Chlor) 药片可用, 大小均可。千万不要把其他类型的化学品放进投药器里。CL-01和CL-01A最多能放2kg的药片, 而CL-02和CL-02A就最多能放4kg的药片。在正常条件下, 这个重量能提供一个大水池1至2周的氯化作用。每个投药器都有一个刻度盘型的控制阀来控制通过投药器的水流量。通过调整阀的流量和药片的剂量, 你能轻易的调节你对水池含氯量的要求。

⚠ WARNING: READ CAREFULLY AND KEEP THE MANUAL FOR FUTURE REFERENCE

This feeder can ONLY be used with slow-dissolving Tri-Chlor. Do NOT mix with other type of chlorine or chemical, otherwise it may cause explosion or fire.

Great care must be taken while opening the feeder. Always switch off pump and close all available valves before opening. Do NOT inhale air from any chemical feeder or container. Always protect your eyes, skin and clothing from any chemical.

Do NOT open a feeder while the pump is running.

To prevent gas from building up in the feeder, make sure the pool return line valve is kept open-except when opening or servicing. Always read the labels warning information and closely follow chlorine manufacture's and or dealer's recommendation for proper conditioning and daily chlorine requirements for your particular pool.

⚠ 警告: 请仔细阅读

这款投药器只适合使用慢溶的三氯乙酸类型, 千万不要混和其它类型的氯或化学品使用, 否则有可能导致爆炸或火灾。在打开或维护您的投药器时必须万分小心。打开前一定要先关闭水泵和阀门 (如果有的话)。不要吸入任何化学投药器或容器里面的气体。任何时候都要保护你的眼睛, 皮肤和衣服免受化学品的伤害。

千万不要在水泵还在运作时打开投药器。为避免气体在投药器内积聚, 确保池回水管阀门处于开启状态-除了打开/维护时。一定要阅读标签并小心遵循生产商或销售商为你的水池或地区推荐的池水调节措施和日氯气需求量。

DIRECTIONS FOR USE

- 1) Before starting up your chlorine feeder your pool/spa should be properly conditioned with a chlorine level of 1.0 to 1.5ppm. Directions and instructions from dealer and chemical manufacturer should be followed.
- 2) The chlorine demand for pools and spas varies according to load, usage, temperature, sunlight etc. Initially you should experiment to determine the proper amount of chlorine and the correct valve setting required for our pool

And filter time cycle. Taking a 90 cubic meter pool as a reference, we suggest You place about 1.8kg slow dissolve Tri-Chlor tablets in your feeder and leave the dial valve setting at to Level 3(Increase or reduce the chlorine amount basing on the pool size, for example, for 135cubic meter pool add 50% more chlorine.) Check chlorine residual daily and adjust the dial valve for more or less chlorine. Increasing the quantity of chlorine in your feeder with extend the recharging circle.

使用指南

- 1) 在启动您的投药器之前，您的水池应该被适当的调节，有1.0到1.5 ppm的含氯量。遵循销售商或生产商的指引。
- 2) 每个水池对氯的需求量都会因存水量、使用量、温度、阳光等因素而有所改变。在启动投药器前，请适当的调节并决定池水的含氯量，过滤控制阀的刻度和过滤周期的长短。以一个90立方米的水池为例，我们建议在投药器中放置1.8kg缓释三氯乙酸并把阀的刻度设在第3格。（根据池的大小增加或减少药量，例如对135立方米的池，要增加50%的药量）每日检查余氯并调整刻度阀来增减投氯量。加大放置量将延长重新装药的时间。

OPENING THE FEEDER LID

- 1) Turn off pump and turn Dial Control Valve to "O". Shut off inline valve(s) if any to prevent backflow. Unscrew Venting Screw at the top of the Lid. Wait for 1 minute to ensure the release of pressure.
 - 2) Turn the Nut of the Lid anti-clockwise to disassemble the Lid.
- 开盖**
- 1) 关闭水泵将刻度控制阀调到关闭位置，关闭所有的直通阀以防止倒灌。拧开顶盖排气螺丝，等待一分钟。
 - 2) 逆时针旋转顶盖螺母打开投药器盖子。

CLOSING THE FEEDER LID

- 1) Align the Nut of the Lid to the threads of the Feeder. Engage the Nut threads by turning clockwise to tighten.
- 2) Tighten the Venting Screw.
- 3) Set the Dial Control Valve to the desired position then open the inline valve(s) if available.
- 4) Turn on pump.

关盖

- 1) 把带O型密封圈的盖子压到投药器上并对准螺纹顺时针旋转紧顶盖螺母。
- 2) 并拧紧顶盖排气螺丝。
- 3) 把刻度控制阀转至所要的位置，打开直通阀（如果有的话）。
- 4) 重新启动泵。

VACUUMING

Close Dial Control Valve to avoid bypass of sediment and possible clogging of control valve when vacuuming.

抽真空

在吸真空的时候，要关闭刻度控制阀以避免沉淀物通过并可能堵塞控制阀。

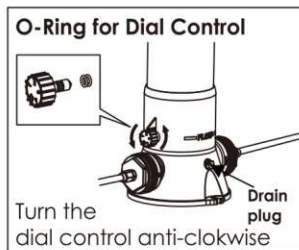
CHANGING O-RINGS

- 1) Follow the steps under "OPENING THE FEEDER LID"
- 2) Before replacing the o-ring, make sure all liquid has been discharged by removing the Feeder's bottom drain plug with a screwdriver.
- 3) Turn the Lid upside down and the o-ring can be found.
- 4) Insert a flat head screwdriver into the groove as indicated. Using the screwdriver at an angle lift the o-ring.
- 5) Once the o-ring had been replaced. Follow the steps under "CLOSING THE FEEDER LID".
- 6) Turn the Dial Control Valve to maximum setting and continue to turn anti-clockwise until the dial control click twice. The Drain Control Valve can then be removed from the feeder.
- 7) Replace the two o-rings.
- 8) Once the o-rings had been replaced, insert the Dial Control Valve back into the feeder. Turn clockwise until the Dial Control click twice. It is important to ensure the Dial Control passes the second click.
- 9) Select the desire position then open inline valve and restart the pump.

WARNING: DO NOT use petroleum type of lubricants on the o-ring; Vaseline is recommended.

更换控制阀密封圈

- 1) 请参照“开盖”的程序。
- 2) 更换控制阀密封圈前请确保投药器内的溶液已排出（用螺丝刀拧开底部排水塞进行排水）。



- 3) 密封圈在盖子的底部。
 - 4) 请用一把平头的螺丝刀挑出密封圈（如右图）。
 - 5) 更换密封圈后，请参照“关盖”的程序。
 - 6) 将阀门逆时针旋至最大处，遇到阻力时再继续用力逆时针转动刻度盘，当刻度盘两次发出响声后即可转出。
 - 7) 更换两条密封圈。
 - 8) 换好密封圈后在密封圈上涂上润滑油，将控制阀顺时针旋入投药器内，遇到阻力时继续用力转动刻度盘，直至刻度盘发出两次响声。
 - 9) 重新调节控制阀和直通阀，并重新开水泵。
- 警告:** 在密封圈上不要用汽油类的润滑剂，建议用凡士林

INSTALLATION

HARD PIPE (CL-01 / CL-02)

Always install the chlorine Feeder after the heater. If there is no heater, install after the filter.

Position the Chlorine Feeder on level surface as close to the filter and pump as possible. The preferred installation is above water level and using Inline Setup (Figure 1). The feeder needs to be below the filter or the heater (if available) as indicated in Figure 1. At the inlet pipe to the feeder, a positive seal corrosion-resistant check valve should be installed to reduce backflow of chlorine gas when the system is turned off. It is recommended that if the feeder is installed below the waterline, a check valve is needed to prevent water backflow when opening the unit.

制定安装计划

硬管连接：在加热器后安装投药器。如果没有加热器，则安装在过滤器后。把投药器放置在与滤缸及泵尽量靠近的平面。推荐的位置为泳池水面以上，以直通方式连接到滤缸或加热器出水口以下（看图-1）。为了在系统关闭时防止倒灌，应安装一直通正向防腐止回阀。如果投药器不得不安装于水面之下，要在出口处安装止回阀防止维护时的倒灌。

FLEXIBLE HOSE (CL-01A / CL-02A)

The Stainless Steel Saddle Clamps for the Flexible Hose installation are designed for pipes with diameter of 1.5" or 2.0".

Inset

- 1) Along the pipe between the pump and the filter as shown in Figure 2, make a hole of 10mm in diameter as the inlet for the feeder.
- 2) Clean off burrs and shavings, insert the Saddle Fitting Adaptor with Gasket into the drilled hole. Place the Saddle Clamp on to the pipe as indicated. Connect the hose.
- 3) Along the pipe after the filter and heater as shown in figure 2, drill a hole of 10mm in diameter as the outlet for the feeder.
- 4) Clean off burrs and shavings, insert the Saddle Fitting Adaptor with Gasket into the drilled hole. Place the Saddle Clamp on to the pipe as indicated. Connect the hose.
- 5) Connect the inlet and outlet tubing with the Adaptor into the Feeders' Threaded Plug.

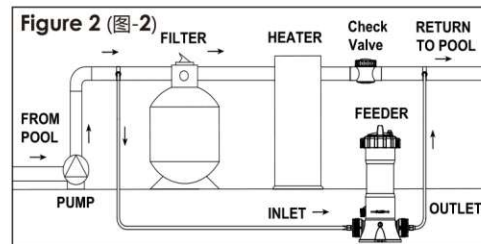
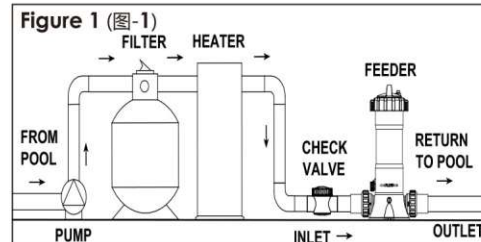
软管连接：鞍形接头和喉箍是为1.5寸和2寸外径的管设计的。

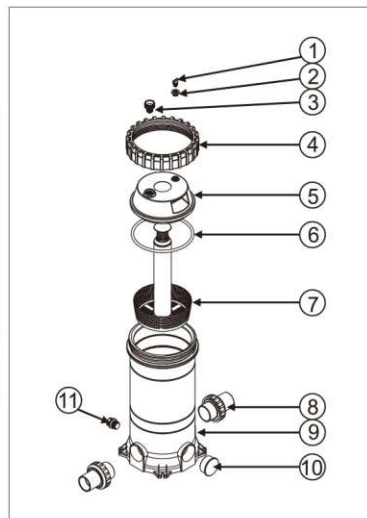
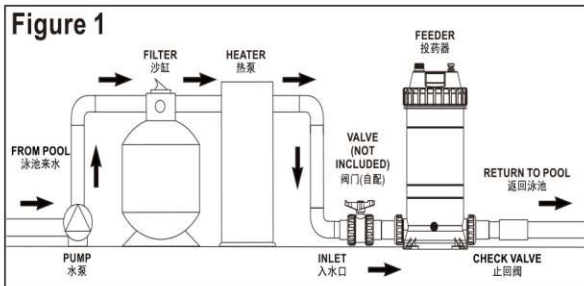
入口

- 1) 在过滤器和水泵之间的管道上开一个 $\phi 10\text{mm}$ 安装孔（看图-2）作为投药器的入口。
- 2) 开好安装孔并清理毛边和屑片后，把鞍形接头大小匹配的一端插入喉箍的孔中，并把另一端加上胶垫插入开好的 $\phi 10\text{mm}$ 安装孔中，收紧喉箍使鞍形接头与管形成良好的密封。不要把喉箍收地过紧。

出口

- 3) 如图-2，在过滤器的出口边，如有加热器，则在加热器的出水口边，开一个 $\phi 10\text{mm}$ 安装孔。
- 4) 在投药器的进口（位于刻度阀下）和出口处凹槽分别放入胶圈并旋紧塞头，在软管接头较短的一端套上胶圈，旋入塞头小孔处。
- 5) 将 $\phi 10$ 软管按需要裁成两段，分别用于投药器入口和出口，要确保两端要切的均匀整齐。将软管两端分别套上螺母，用力将软管两端分别插入鞍形接头和软管接头中并按紧，然后上紧螺母，完成投药器与管道的连接安装。



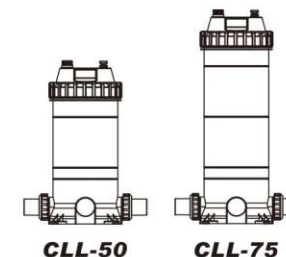


CLL系列自动投药器零部件清单

项目	部件编号	中文	產品資料/說明	数量
Key No.	Part No.	Chinese	Product Description	QTY
1	89021307	扭制连胶圈	Drain Plug with O-ring	1
2	01111048	压力表牙套	Connector for pressure gauge/stopper	1
3	89010701	排气螺丝连胶圈	Air Release Valve	1
4	01021006	纸芯缸大螺母	Ring Lock for cartridge filter	1
5	01011020	顶盖	Lid	1
6	02080003	胶圈	O-Ring for Lid	1
7	89440301	CLL-50出水篮组件	CLL-50 Diffuser assembly	1
	89440302	CLL-75出水篮组件	CLL-75 Diffuser assembly	1
8	89060114	1.5"公英制专用活接	1.5"Union	2
9	89440303	CLL-50投药器身	CLL-50 Feeder Body	1
	89440304	CLL-75投药器身	CLL-75 Feeder Body	1
10	01011015	胶塞	Plug	1
11	89440203	排气/排水螺丝连胶圈	Bottom Drain Plug with O-ring	1

EMAUX CLL Series Automatic Chlorine Feeder EMAUX CLL系列自动投药器 KEEP THE MANUAL FOR FUTURE REFERENCE 请保留说明书

EMAUX CLL series automatic chlorine feeder is designed to be used side by side with your filtration system. The feeder is driven by the pressure difference between its outlet and inlet which pushes water through it. It uses slow-dissolve Trichloro-S-Triazinetrione (Tri-Chlor) large or small tablets (or sticks) only. You should NEVER use other type of chemical. CLL50 can hold up to 6kg of tablets while CLL75 can hold up to 11kg. Such capacity should be able to provide 3 to 6 weeks' chlorination for large pools. The feeder has a true union ball valve to adjust the flow rate through itself, by regulating the valve setting and the amount of Tri-Chlor tablets placed in the feeder, the chlorine feed rate needed to maintain the proper chlorine level of your pool can be readily tuned.



EMAUX CLL自动投药器是专门设计来与你的过滤系统一起用的。过滤系统出口和入口的压力差会自动把水引到投药器里。只慢溶的三氯乙酸 (Tri-Chlor) 药片可用, 大小均可。千万不要把其他类型的化学品放进投药器里。CLL50最多能放6kg的药片, CLL75最多能放11kg的药片。在正常条件下, 这个重量能提供一个大大水池3至6周的氯化作用。它通过一个活接球阀来调节投药器的流量, 通过调整阀的流量和药片的剂量, 你能轻易的调节你对水池含氯量的要求。

⚠ WARNING: 警告-请仔细阅读

This feeder can ONLY be used with slow-dissolving Tri-Chlor. DO NOT mix with other type of chlorine or chemicals, otherwise it may cause explosion or fire. Great care must be taken while opening the feeder. Always switch off pump and close all available valves before opening. Do not inhale fume from any chemical feeder or container. Always protect your eyes, skin and clothing from any chemical. DO NOT open a feeder while the pump is running. To prevent gas from building up in the feeder, make sure the pool return line valve is kept open except when opening or servicing. Always read the labels, warning information and closely follow chlorine manufacturer's and or dealer's recommendation for proper conditioning and daily chlorine requirements for your particular pool and area.

这款投药器只适合使用慢溶的三氯乙酸类型, 千万不要混和其它类型的氯或化学品使用, 否则有可能导致爆炸或火灾。在打开或维护您的投药器时必须万分小心。打开前一定要先关闭水泵和阀门(如果有的话)。不要吸入任何化学投药器或容器里面的气体。任何时候都要保护你的眼睛, 皮肤和衣服免受化学品的伤害。千万不要在水泵还在运作时打开投药器。为避免气体在投药器内积聚, 确保池回水管阀处于开启状态-除了打开/维护时。一定要阅读标签并小心遵循氯生产商或销售商为你的水池或地区推荐的池水调节措施和日氯气需求量。

DIRECTIONS FOR USE 使用指南

1) Before starting up your chlorine feeder your pool/spa should be properly conditioned with a chlorine level of 1.0 to 1.5ppm. Directions and instructions from dealer chemical manufacturer and dealer should be followed.

2) The chlorine demand for pools and spas varies according to load, usage, temperature, sunlight etc. Initially you should experiment to determine the proper amount of chlorine and the correct check valve setting required for our pool and filter time cycle. Check chlorine residual daily and adjust the dial valve for more or less chlorine. Increasing the quantity of chlorine in your feeder will extend the recharging cycle.

- 1) 在启动您的投药器之前，您的水池应该被适当的调节，有1.0到1.5 ppm的含氯量。遵循销售商或生产商的指引。
- 2) 每个水池对氯的需求量都会因存水量、使用量、温度、阳光等因素而有所改变。在启动投药器前，请适当的调节并决定池水的含氯量，过滤控制阀的刻度和过滤周期的长短。每日检查余氯并调整刻度阀来增减投氯量。加大放置量将延长重新装药的时间。

OPENING THE FEEDER LID

开盖

- 1) Turn off the pump and close off inline check valve if any to prevent backflow; unscrew Air Release Valve on the Lid and wait for 1 minute.
- 2) Turn the Ring Lock of the Lid anti-clockwise to open the Lid.

 **Caution: DO NOT inhale the gas from the feeder.**

- 1) 关闭水泵将刻度控制阀调到关闭位置，关闭所有的直通阀以防止倒灌。拧开顶盖排气螺丝，等待一分钟。
 - 2) 逆时针旋转顶盖螺母打开投药器盖子。
- 警告：不要吸入投药器中的气体。

CLOSING THE FEEDER LID

关闭盖子

- 1) Ensure the o-ring a proper placed to the Lid, align the Lid to the Cartridge Filter Body.
- 2) Engage thread with the Ring Lock and turn clockwise to tighten.
- 3) Tighten Air Release Valve.
- 4) Set the check valve (not included) to the desire position then open inlet valve (if available).
- 5) Restart pump.

- 1) 确保O型密封圈正确的装在盖子上，对准投药器身压好。
- 2) 对准螺纹顺时针旋转顶盖螺母。
- 3) 拧紧顶盖排气螺丝。
- 4) 把控制阀转至所要的位置，打开直通阀（如果有的话）。
- 5) 重新启动泵。

VACUUMING

吸真空

Close check valve (not included) to avoid bypass of sediment and possible clogging of control valve when vacuuming.

在吸真空的时候，要关闭控制阀以避免沉淀物通过并可能堵塞控制阀。

CHANGE O-RING

更换密封圈

- 1) The steps under "OPENING THE FEEDER LID".

- 2) Before replacing O-ring make sure the all liquid has been discharged (by removing the bottom drain plug).
- 3) Replace the o-ring and lubricate the surface of the o-ring before closing the Lid.
- 4) Fasten the bottom drain plug.
- 5) Follow the steps under "CLOSING THE FEEDER LID".

- 1) 请参照“开盖”的程序。
- 2) 更换密封圈前请确保投药器内的溶液已排出（用螺丝刀拧开底部排水塞进行排水）。
- 3) 更换密封圈后在密封圈上涂上润滑油。
- 4) 拧紧底部排水塞。
- 5) 请参照“关盖”的程序。

Warning: DO NOT use petroleum type of lubricants on the O-ring; Vaseline is recommended.

警告：在密封圈上不要用汽油类的润滑剂，建议用凡士林。

WINTERIZING

渡冬防冻

When cold weather is forthcoming, drain all water in the feeder by loosening the Bottom Drain Plug. Open the feeder lid and with chemical resistant gloves on carefully take out the undissolved tablets and rinse the feeder thoroughly with water then put the cover back.

寒冷温度将要到来时，排出投药器内的全部水。戴上防护手套小心取出未溶解的药片并用水彻底的冲洗。重新盖好顶盖上好螺纹。

INSTALLATION

制定安装计划

Always install the chlorine feeder after the heater. If there is no heater, install after the filter. Position the chlorinator on level surface as close to the filter and pump as possible. The preferred installation is above water level and below filter or heater outlet; or is offline with feeder inlet connecting to the pump outlet and feeder outlet behind the heater outlet.

An inline positive seal corrosion-resistant check valve is to be installed to reduce backflow of chlorine gas when the system is shut off and to control the follow of water to the feeder. If the chlorine feeder must be located below water level, a check valve is needed to prevent water backflow when opening the unit as well as to control the flow of water. The CLL series feeders feature with two inlets, either one can be chosen to meet the installation requirements and seal the other with the supplied plug and PVC glue.

Note: After installation start up the system to perform leakage check, re-tighten if required. This installation can only apply to imperial/metric 1.5" pipes. The feeder can be fixed onto the installation surface by tapping screws and 4 securing holes in its base.

把投药器放置在与滤缸及泵尽量靠近的平面。推荐的位置为泳池水面以上，以直通方式连接到滤缸或加热器出水口以下，或以并联方式安装于管道中，进水口位于水泵出水口后，出水口位于加热器出水口后。为了在系统关闭时防止倒灌，应安装一直通正向防腐止回阀。如果投药器不得不安装于水面之下，要在出口处安装止回阀防止维护时的倒灌。

CLL系列投药器有两个进水口，根据安装需要选择一个合适的进水口接入管道上，另一个进水口用提供的塞头涂上PVC胶水塞住。

投药器底座设有四处固定位，可用自攻螺丝将其固定在安装平面上。

注意：安装完毕后启动系统检查泄漏，有必要时重新上紧。此安装方式只可使用1.5寸公制/英制管。