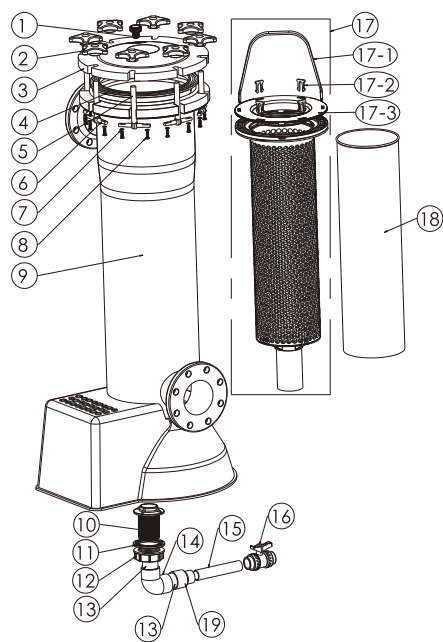


零部件清单 Parts list

项目 Item	部件编号 Part NO.	产品描述 Product Description	数量 Qty	
1	4100116524	排气螺丝	Air Release Valve	1
	111112530	胶圈	O-Ring	1
2	550014554	星型螺母	Star nut	8
3	640024554	面盖	Lid	1
4	111030005	胶垫	Rubber ring	1
5	112010040	吊环螺杆	Lifting screw	8
6	64085503	螺杆挂件	Screw hanger	8
7	112010047	弹垫	gasket	16
8	112010046	机丝	Flat-head machine wire	16
9	640014554	BF280过滤筒	BF280 main body	1
10	4103021840	底排沙身	Drain for sand body	1
11	111042393	丁腈胶圆形胶垫	O-Ring	1
12	4106040965	驳接板螺母	Nut	1
13	107041666	GB50 PVC管	GB50 PVC tube	1
14	4108080757	弯头	Elbow	1
15	107041821	GB32 PVC管	GB32 PVC tube	1
16	108111922	GB32 活接球阀	GB32 ball union valves	1
17	640044554	过滤蓝	Filter basket	1
17-1	640094554	手挽	Handle	1
17-2	640104554	扣钉	Cramp	1
17-3	640114554	压盖	Gland	1
18	109585743	滤袋PE50	Filter-bag PE50	1
	109585742	滤袋PE25	Filter-bag PE25	1
	109585744	滤袋NYL100	Filter-bag NYL100	1
19	108031833	GB50*GB32刁士	GB50*GB32 Reducer	1



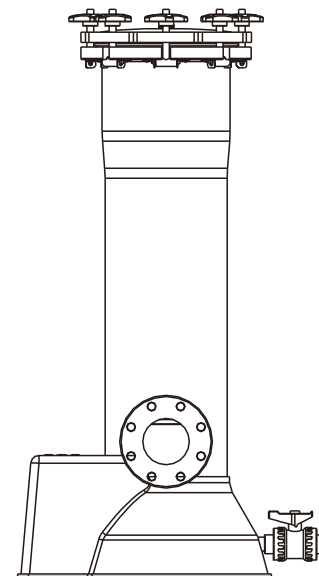
袋式过滤器说明书

Specification of Bag Filter

简介 Introduction

本产品是新型袋式过滤器，使用过滤效果最佳的滤布，能够过滤水中大小不同的杂质，过滤效率高。采用新型拆卸装置，能够使您操作时更加简便。本产品适用于游泳池，海洋馆，水上乐园等。

This is a new-type bag filter of high-efficiency of filtering by using the filtration cloth having the best filter effects that can filter various sizes of impurities in water. New-type removing units are used which can facilitate your operation. The product is applicable for swimming pool, aquarium and water park etc.



产品特点 Features

- 1) 本过滤器处理率高，体积小，容污量大。主体是采用玻璃纤维材料制成，其抗海水腐蚀性高。一体成型，使主体无缝隙；无死角；
- 2) 滤袋是采用了无毒无味聚乙烯(PE)为原料，特殊加工缝制而成，滤袋材质具有孔径均匀，外疏内密的深沉过滤结构，过滤精度可达到5um，能有效去除液体中的悬浮物，微粒等杂质；不仅过滤效率高，而且还具有耐酸碱性等优良特性；另有尼龙滤袋可选配。
- 3) 过滤器承受的工作压力大，压损小，运行费用低，节能环保利用率高；
- 4) 滤袋可反复清洗使用，节约成本。

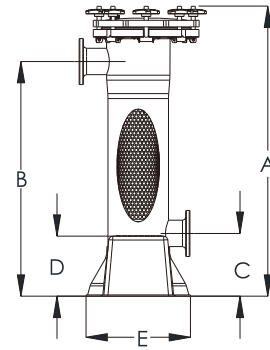
- 1) The filter has a high processing rate; its size is small while the filth allowance is great. The main body is made of glass fiber material, which has a high anti-seawater corrosion resistance. It is all-in-one shaped so that there's no gaps and dead angle on the main body.
- 2) The filter bag is processed specially with toxic-free and scent-free polytene (PE) material, which has even bore diameter and a deep filtering structure of outer-thin and inner-dense; the filtering accuracy reaches 5um, impurities in the liquid, such as suspended matter and particulates, can be removed effectively. It has high filter efficiency and at the same time has features including acid and alkali resistance. Available with nylon filter-bag.
- 3) The filter can endure great pressure with low loss of pressure and low cost of operating; it has a high availability of energy reservation and environment protection.
- 4) The filter-bag can be washed and used repeatedly to save the cost.

产品规格 Specifications

编码 Code	型号 Model	滤袋规格 Bag Size	过滤面积 Filter Area	进/出水口尺寸 Inlet/Outlet Dia.	孔隙规格 Pore Size	流量 Process Flow	最大工作压力 Max. Working Pressure	最大容量 Filter Volume
9210302	BF280-25	Ø191x686mm	0.45m ²	4" Flange	5-50µm(PE)	20-40m ³ /hr	4.0 bar	32 Litre
9210301	BF280-50				50-100µm(PE)			
9210303	BF280-100				100-200µm(NYL)			

外形尺寸 Shape and sizes

型号 Model	A	B	C	D	E
BF280-25	1350	1122	320	287	500
BF280-50	1350	1122	320	287	500
BF280-100	1350	1122	320	287	500



滤布规格 Specifications of filtration cloth

滤布材质 Material of the filtration cloth	孔隙规格 Specifications of aperture gap (μm)	承受压力 Pressure endured (bar)	工作温度 Working temperature ($^{\circ}\text{C}$)
PE25(聚乙烯) PE25(Polytene)	5-50	4	25-43
PE50(聚乙烯) PE50(Polytene)	50-100	4	25-43
NYL100(尼龙) NYL100(Nylon)	100-200	4	25-43

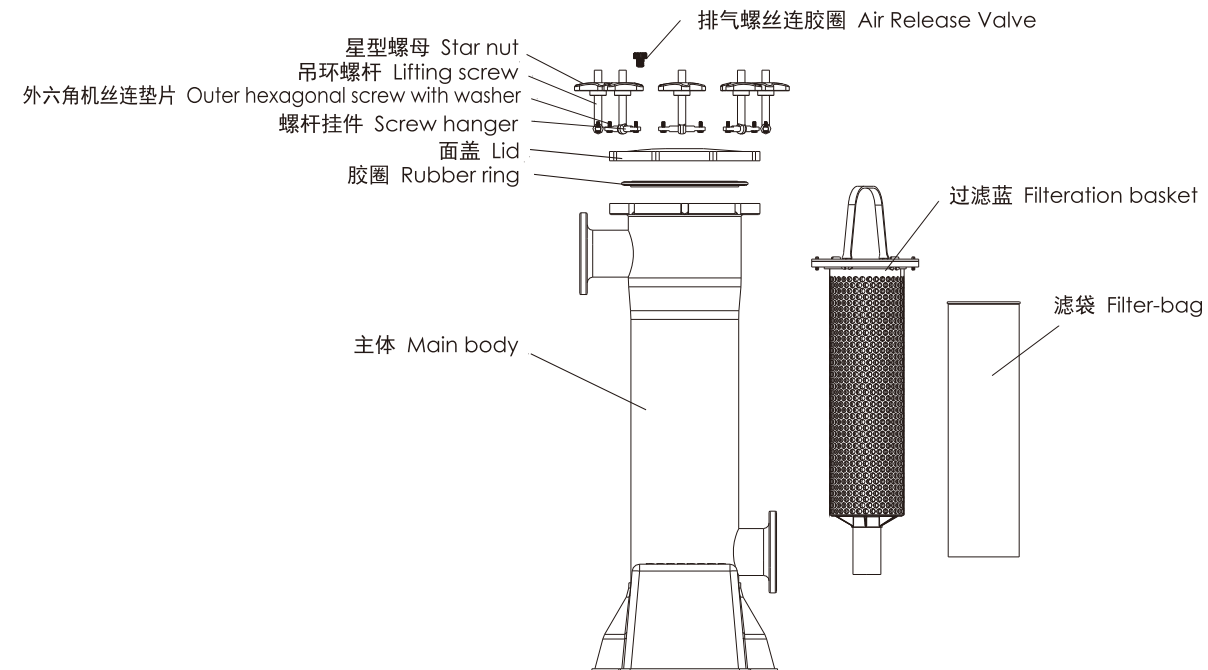
袋式过滤器的安装 Installment of the Bag Filter

一) 首先, 请检查安装时需要的配件是否齐全:

1. 袋式过滤器主体
2. 面盖
3. 胶垫
4. 滤袋
5. 过滤篮
6. 星型螺母
7. 吊环螺杆
8. 排气螺丝连胶圈
9. 挂钩
10. 外六角机丝连垫片

A) Firstly, please check whether all accessories needed for installment are available:

1. The main body of Bag filter
2. Lid
3. Rubber ring
4. Filter-bag
5. Filtration basket
6. Star nut
7. Lifting screw
8. Air Release Valve
9. Hanger
10. Outer hexagonal screw with washer



二) 安装时, 请按照以下步骤进行:

- 1) 首先将过滤器主体, 安装在所需要过滤的地方, 保证在使用的过程中不会有晃动;
- 2) 将滤布安装在过滤篮中压紧, 扣钉扣住, 装上手挽, 放入主体当中;
- 3) 把胶圈放在主体口部, 对好孔位, 盖上亚克力面盖, 旋上T型螺杆用星型螺母拧紧。

B) When installing, please follow the following steps:

- 1) Firstly, install the main body of the filter in the place that needed to be filtered, and ensure to avoid rocking during the utilization.
- 2) Install the filtration cloth in the filtration basket and press it tightly, clasp it by clamp, install the handle and put it to the main body.
- 3) Put the rubbing ring at the entrance of the main body, align the hole site, cover the acrylic cover, screw the T-type screw stem and tighten it by star nut.

袋式过滤器的使用以及保养 The Utilization and Maintenance of Bag Filter

- 1) 袋式过滤器在使用前先检查, 面盖是否拧紧. 胶圈有没有出现变形裂纹, 如有出现请立即更换胶圈。
- 2) 袋式过滤器属于精细过滤, 过滤一定时间需要及时更换滤袋, 以保证过滤速度以及过滤效果。
- 3) 在日常使用过程中进水口流量不能低于出水口流量的一半。
- 4) 更换滤袋前需要先将进出水口关闭, 再把螺母拧松旋下螺杆, 打开面盖, 提出其中的过滤篮拆卸出旧的滤袋将其更换。装好过滤器打开进出水口, 更换完成。

注意: 进出水口一定要各装一个压力表, 以压力差来观察袋式过滤器中滤袋的吸污程度, 并及时清洗滤袋。

- 1) Please check whether or not the cover has been screwed tightly and whether there are deformation cracks on the rubber ring before using the Bag filter; if there are, please change the rubber ring immediately.
- 2) Bag filter is a type of fine filtering, after using some time, the filter-bag should be changed, so that to ensure the speed and effect of filtering.
- 3) During daily usage, the volume of water inlet shouldn't be lower than half of the volume of water outlet.
- 4) Before changing the filter-bag, it is needed to firstly close the water inlet and outlet, and then screw out the nut and screw stem, open the cover, take out the filtration basket, remove the used filter-bag and change it. Install the filter properly, open the water inlet and outlet, and then the process of changing is completed.

Note: the inlet and outlet install a pressure gauge to judge the pollution levels of filter bag by pressure difference. Clean up the filter bag in a timely manner.