



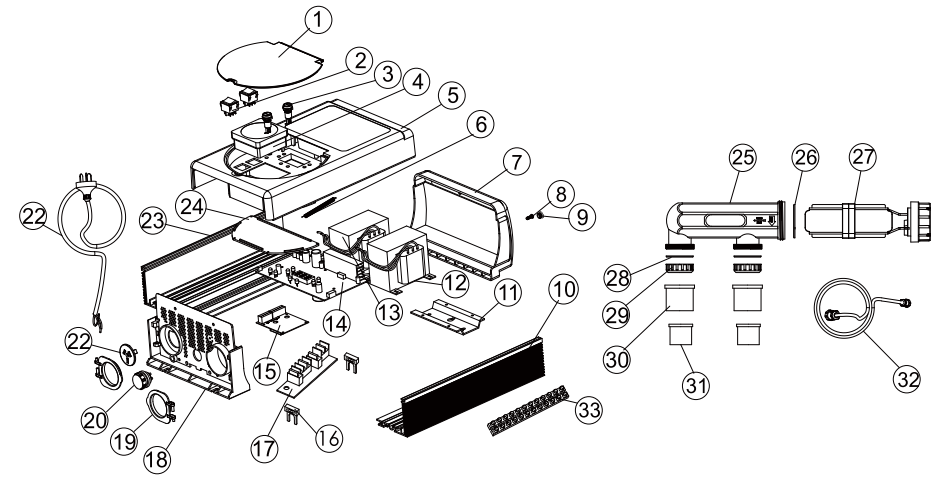
**SSC SERIES SALT CHLORINATOR  
INSTALLATION & USER MANUAL**

**SSC系列盐加氯器  
产品安装及使用手册**



## CONTENT

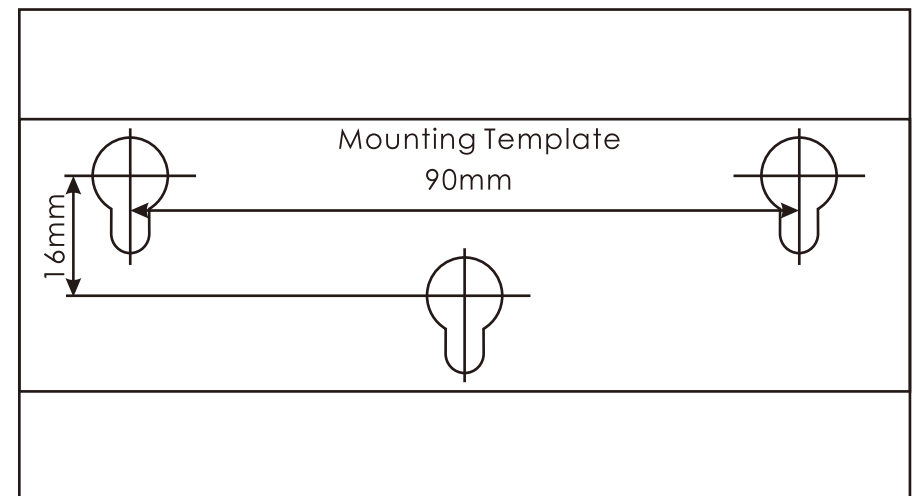
1. Safe Pool Sanitizing Working Principle 安全的泳池消毒工作原理	3
2. Product Features 产品特性	3-4
3. Water Chemistry 水的化学性	4-7
4. Product Specification 产品规格	7-8
5. Installation Guide 安装指南	8-11
6. Operation Start Up 操作启动	11-12
7. Control Panel operation 控制面板的操作	12-14
8. Timer setting for Timer version 计时器版本中对于计时器的设置	15
9. Maintenance and Troubleshooting 维修及故障排除	15
10. Trouble shooting 故障排除	16
11. Clean Chlorinator Titanium Cell 干净的氯化钛电解盒	17-18
12. Warranty Policy 保修政策	18-20
13. Replacement Parts 替换零件	21-23
14. Installation Template 安装模板	23



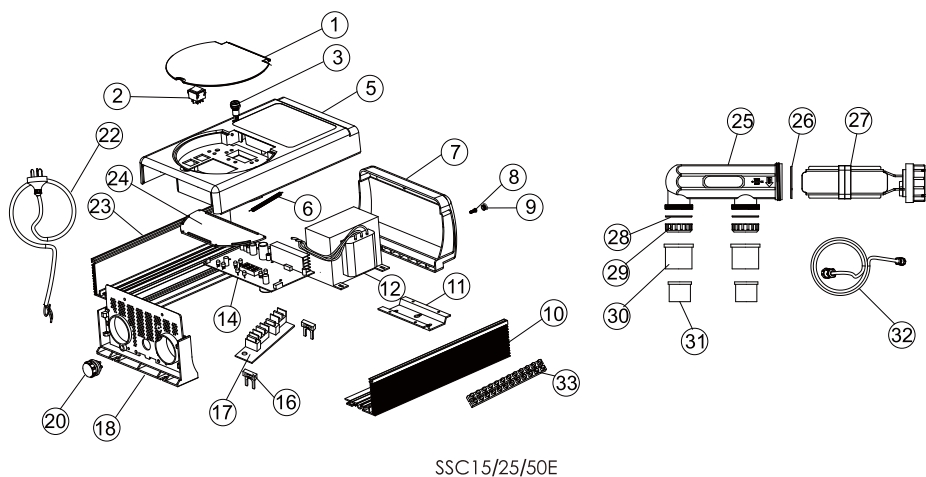
SSC15/25TLT

## 14. Installation Template

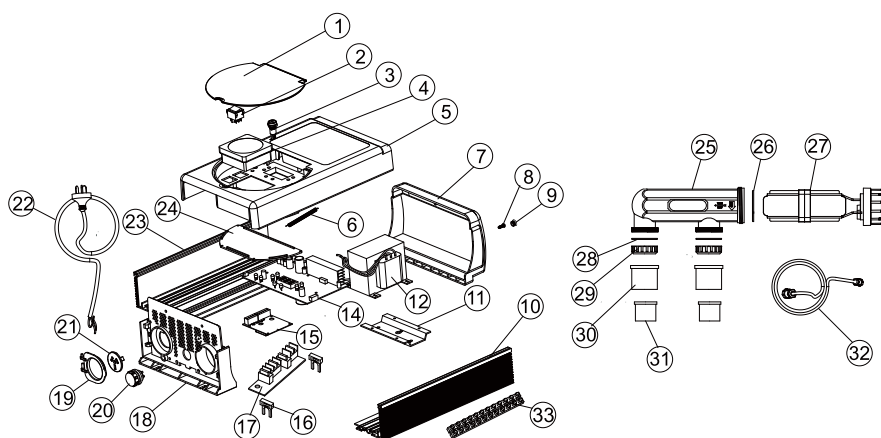
Ratio 1:1



Item	Part No.	Description	Description	Qty
项目	部件编号	英文描述	中文描述	数量
26	02021044	O-Ring for Housing	胶圈（电解盒螺母用）	1
27	08050018	Replacement Cells for SSC15	SSC15盐机电解盒	1
	08050019	Replacement Cells for SSC25 / SSC50	SSC25/50盐机电解盒	1
28	02020016	O-Ring for Union	密封圈	2
29	01013032	2.0" Union Nut	2寸螺母	2
30	01171154	2.0" Union (A/E)	2寸公英制管接头	2
31	01171155	1.5" Union	1.5寸管接头	2
32	89380215	Salt Chlorinator Cable Set	SSC15/25/50电解盒连接线	1
33	106271455	Terminal Jumper	接线排	1



SSC15/25/50E



SSC15/25/50T

### Caution:

This appliance can be used by children aged from 8 years and above and persons with reduced physical, sensory or mental capabilities or lack of experience and knowledge if they have been given supervision or instruction concerning use of the appliance in a safe way and understand the hazards involved. Children shall not play with the appliance. Cleaning and user maintenance shall not be made by children without supervision. If the supply cord is damaged, it must be replaced by the manufacturer, its service agent or similarly qualified persons in order to avoid a hazard.

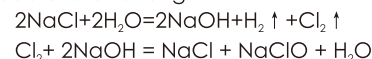
The control unit can connect to one pump and one underwater light only (SSC-TLT Series Only). The current loading of the pumped connected must not exceed 8 Amp. (SSC-TLT Series Only)

8岁及以上儿童, 身体、感官或精神能力欠佳的人, 缺乏经验和相关知识的人, 在接受了有关安全使用此设备的指导和监督, 并理解了与之相关的危害之后, 都可以使用此设备。儿童不可将其当做玩具, 且不能在无监督的情况下做清洁和维修工作。如果电源线出现破损, 只能由制造商、代理商或拥有资质的人员进行更换, 以免造成伤害。

控制装置只能连接一个水泵和一个水下照明灯（仅限于SSC-TLT系列）。所连接的水泵的电负荷切勿超过8安培（仅限于SSC-TLT系列）

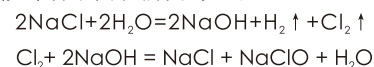
### 1. Safe Pool Sanitizing Working Principle

The chlorinator uses electrolysis to break down the salt (NaCl) in the swimming pool to form Chlorine (Cl<sub>2</sub>). The control unit of the chlorinator can regulate the chlorine production by altering the electric current flow through the titanium electrode in the cell housing. Chlorine is an effective sanitizing agent which is commonly used in swimming pools, it can inhibit the growth of bacteria and fungi.



### 安全的泳池消毒工作原理

加氯器用电解的方法来分解泳池中的盐(NaCl), 形成氯气(Cl<sub>2</sub>)。加氯器的控制装置可以通过使用电解盒胶壳中的钛电极改变电流流量来调控氯气的产出量。氯是非常有效的消毒剂, 通常用于泳池, 能抑制细菌和病菌的生长。



### 2. Product Features

- Convenience and the constant delivery of pure chlorine-based sanitizer.
- No more artificial chemical cleaning agent which could cause skin and eye irritation. You just need to add natural salt in the pool.
- The salt in the water is so little you do not taste or smell the salt.
- The electrode is made of titanium, which is durable and resistant to corrosion.
- Easy to install and operate.
- The water does not have the heavy smell of chlorine because chlorine is not directly added to the pool.

### 产品特性

- 方便快捷并延续不断的输送纯粹的氯基消毒剂。
- 没添加更多的人工化学清洁剂, 这些东西会引起皮肤和眼镜的过敏。你只需在泳池中加入天然盐分即可。
- 加入水中的盐分很少, 你不会尝到或闻到盐味。
- 由钛制成的电极, 坚固耐用, 抗腐蚀。
- 易于安装和操作
- 水不会散发浓重的氯气味道, 因为氯气并非直接加入泳池中。

Product Picture 产品图



1x control box  
控制盒



1x cell  
电解盒



1 set 1.5"/2" Universal Union  
1套1.5"/2"



1 x cell cable  
电解盒电缆

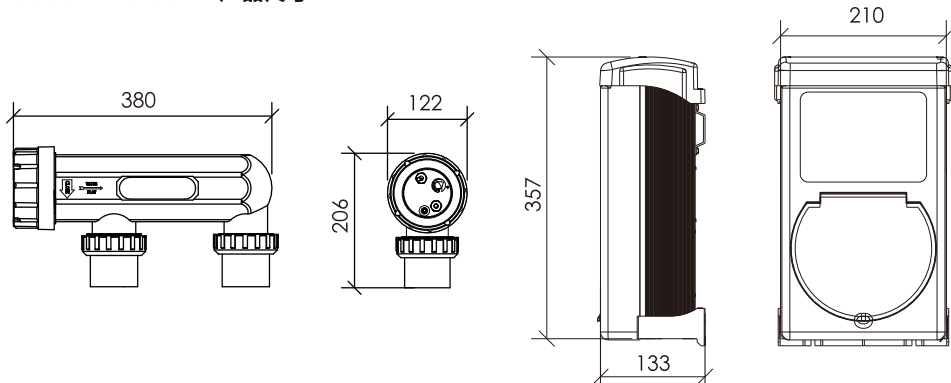


1 set screws and Fuse  
1套螺丝和保险丝



User Manual  
用户手册

Product Dimension 产品尺寸



3. Water Chemistry:

It is important to note that the EMAUX Chlorinator does not maintain the water chemistry of your swimming pool water; it simply produces chlorine from a mild salt solution. To ensure that your chemical balances are within the guidelines listed below you should also have your water tested regularly at your local pool shop to encourage a sparkling clean healthy pool.

13. REPLACEMENT PARTS 零部件清单

Item	Part No.	Description	Description	Qty
项目	部件编号	英文描述	中文描述	数量
1	01041040	Door Model	透明盖	1
2	04010006	Switch I O II 250VAC / 6A	船形开关 I O II	1
	04010007	Switch I O 250VAC /6A (SSC15-TLT and SSC25-TLT)	船形开关 I O II	1
3	89380201	Fuse Seat 2.5A SSC15	保险丝座连2.5A保险丝	2
	89380201	Fuse Seat 2.5A for Lamp	保险丝座连2.5A灯	1
	89380218	Fuse Seat 6.3A SSC25 and SSC50	保险丝座连6.3A保险丝	1
4	04010043	Timer Analogue Battery Pack	时间制	1
5	89380214	SSC15-TLT Lid with Label	SSC15-TLT带贴纸的盖子	1
	89380213	SSC25-TLT Lid with Label	SSC25-TLT带贴纸的盖子	1
	89380212	SSC15-T Lid with Label	SSC15-T带贴纸的盖子	1
	89380211	SSC25-T Lid with Label	SSC25-T带贴纸的盖子	1
	89380207	SSC15-E Lid with Label	SSC15-E带贴纸的盖子	1
	89380208	SSC25-E Lid with Label	SSC25-E带贴纸的盖子	1
6	03014016	Spring	弹簧	1
7	01360002	Chlorinator Top Cover	顶盖	1
8	03011169	M4 x 10 Screw	M4X10 B头平底自攻螺丝	30
9	02020003	Plastic Caps for Chlorinator Top Cover	橡胶塞	4
10	03031031	Heat Sink B	盐机散热壳B	1
11	03031024	Hanging Bracket	盐机支撑架	1
12	106166313	Transformer for SSC15	SSC15变压器	1
	106166314	Transformer for SSC25	SSC25变压器	1
	106166315	Transformer for SSC50	SSC50变压器	1
13	04012008	Transformer for Lighting	照明变压器	1
14	E130027	SSC15 PCB Control Complete (Ver5.6.1)	SSC15电子板 (5.6.1版本)	1
	E130028	SSC25 PCB Control Complete (ver5.6.1)	SSC25电子板 (5.6.1版本)	1
	E130029	SSC50 PCB Control Complete (ver5.6.1)	SSC50电子板 (5.6.1版本)	1
15	E130039	EMC Board (with Light)(ver2.0)	EMC板(带灯) (2.0版本)	1
	E130040	EMC Board (without Light)(ver2.0)	EMC板(不带灯) (2.0版本)	1
16	106147161	Fuse 20A	20A保险丝	2
17	E130049	SSC15 Silicon controlled combination(ver1.4)	SSC15可控硅模组 (1.4版本)	1
	E130050	SSC25 Silicon controlled combination(ver1.4)	SSC25可控硅模组 (1.4版本)	1
	E130051	SSC50 Silicon controlled combination(ver1.6)	SSC50可控硅模组 (1.6版本)	1
18	01360005	Bottom Panel Comp	盐机尾盖	1
19	89380205	Component Enclosure Plate (2 pcs for light version)	插座盖板	2
20	04010018	SP Power Point	Sp连接器	1
21	04010015	250V/10A Jack for Australia version	澳大利亚插座	1
22	04013082	Cable and Euro Plug	欧式插头电缆线	1
	04013101	Cable and Australian Plug	澳式插头电缆线	1
23	03031022	Heat Sink A	盐机散热壳A	1
24	01360004	Protection Cover	防护盖	1
25	01201025	Cell Housing	盐机电解箱体	1

## 索赔程序

Emaux索赔程序分为3部：

1. 索赔：客户联系Emaux销售人员, 提供索赔的完整细节, 包括：
  - a. 故障产品的相关信息, 例如零件号和序列号。
  - b. 投诉/故障描述
  - c. 图片
2. 收到投诉之后, Emaux的质量部门会根据“Emaux保修条款” 审评产品质量事件
3. 结论：完成调查之后, Emaux会相应地通知分销商。

## 12.3. WARRANTY OBLIGATION

Emaux warrants any of above items from workmanship and/or material(s).

Should a defect become evident during the term of warranty, Emaux will, at its option, repair or replace such item or part at its own cost and expense. Customer will need to follow the warranty claim procedures from Emaux in order to obtain the benefit on this warranty.

Emaux is not, however, responsible under this warranty for any cost of shipping or transportation of the equipment or parts thereof "to" or "from" our technical operations. Emaux is not able to liable for any loss of time, inconvenience, incidental expenses such as labor cost, phone calls, legal cost or material cost incurred in connection with the replacement or removal of the equipment, or any other consequential or incidental damage on persons or assets. Emaux will be not responsible for any business profit loss operation stop due to the non-conformity product equipment. No indemnity or damages can be claimed on any account whatever.

## 保证义务

Emaux对上述与工艺和/或材料相关的问题作出担保。

保修期间内, 如果缺陷很明显, Emaux会自主选择修理还是更换此商品或零件, 费用由其自行承担。客户需要做的, 就是遵循Emaux的保修索赔程序, 以便获得收益。

但依照此保修条款, Emaux对往来于技术操作的设备或零件的运输费用不承担。对于时间损失、不便、发生在设备更换或移除期间的杂费, 例如劳务费、电话费、法律相关费用或材料费, 或任何其他随之而来的或附带的对人员或财产造成的损坏, Emaux不承担责任。对于因产品设备不符合要求而造成的任何商务利益损失或操作停机不承担责任。无论出于何种原因, 都不能要求赔偿或损害赔偿。

## 12.4. WARRANTY OR REPRESENTATIONS BY OTHERS

No dealer or other person has authority to make any warranty or representation concerning Emaux or its products.

Accordingly, Emaux is not responsible for any such warranty or representation.

## 其他方提出的保证或陈述

任何交易商或其他人都未被授权做出有关Emaux或其产品的任何保证或陈述。

因此, Emaux对任何这样的保证或陈述不承担责任。

## 水的化学性

需引起注意的是, EMAUX 盐加氯器不能维持泳池水的化学性, 只是从低盐溶液中生成氯。为确保化学平衡处于下列指南范围内, 你还需要在当地的泳池场所定期对水进行检测, 努力建成一个健康干净的游泳池。

Salt level 盐分水平	SSC15-E / SSC15-T / SSC15-TLT	3000 - 4000 ppm
	SSC25-E / SSC25-T / SSC25-TLT	3000 - 4000 ppm
	SSC50-E/SSC50-T	4000 - 5000 ppm
Free Chlorine 游离氯	1.0 – 3.0 ppm	
pH	7.2 – 7.6	
Cyanuric acid (stabilizer) 氰尿酸(稳定剂)	30 – 50 ppm	
Total Alkalinity 总碱量	80 – 120 ppm	
Calcium Hardness 钙的硬度	200 – 400 ppm	
Metals 金属	0 ppm	

## Chlorine Level Calculation

$$\text{Required Chlorine Production Rate (g/hr)} = \frac{\text{Pool Volume (litre)} \times \text{Standard Chlorine (g/litre)}}{\text{Turnover Rate (Hr)}}$$

Standard Chlorine Level not less than 2mg/liter = 0.002g/liter

Example:

Pool Volume: 65m<sup>3</sup> = 65,000litre

Turnover Rate: 4 Hour

Required Chlorine Production Rate (g/hr) == 32.5g/hr

## 氯气水平的计算公式

$$\text{所需氯气的生成率(g/hr)} = \frac{\text{泳池容积(升)} \times \text{标准氯气水平}}{\text{周转率}}$$

标准氯气水平不低于2毫克/升 = 0.002克/升

如：

泳池容积：65立方米 = 65,000升

转换速率：4小时

所需氯气的生成率(g/hr)= 32.5g/hr

## SALT LEVEL

The amount of salt required is between 4000 and 6000 ppm. This means to add directly in the pool water 4kg/m<sup>3</sup>.

Low concentration of salt (below 2500 ppm) will cause premature cell failure.

High concentration of salt (above 6000 ppm) may cause electro-oxidation and corrosion damage to the Stainless Steel pool fixtures.

## 盐分水平

所需盐份含量在4000至6000 ppm之间。即直接加入泳池水中的盐分为4Kg/m<sup>3</sup>。

盐分浓度过低(2500 ppm以下)会导致细胞早衰。

而盐分过高(6000 ppm以上)会导致电氧化, 并对不锈钢泳池设施产生腐蚀。

### Salt required according to the volume of the pool:

#### 不同泳池容积对应的所需盐份

Pool volume (m <sup>3</sup> ) 泳池容积(立方米)	Salt (kg) 盐份(千克)	Pool volume (Gallon) 泳池容积(加仑)	Salt (Pound) 盐份(磅)
10	40	2,642	88
15	60	3,963	132
20	80	5,283	176
25	100	6,604	220
30	120	7,925	264
35	140	9,246	308
40	160	10,567	352
50	200	13,209	440
60	240	15,850	528
70	280	18,492	616
80	320	21,134	704
90	360	23,775	792
100	400	26,417	880
110	440	29,059	968
120	480	31,700	1,056
150	600	39,626	1,320

NOTE: Table based on 4000 ppm of salt per m<sup>3</sup> of water.

注：此表数据的基础为每立方米水4000ppm的盐分

#### TYPE OF SALT

The most common salt used in swimming pools with salt electrolysis is sodium chlorine (NaCl) that is 99% pure.

DO not use the following types of salts:

- Rock salt.
- Salt with more than 1% yellow prussiate of soda.
- Salt with more than 1% of anti-caking additives.
- Iodized salt.

#### 盐的类型

装有盐电解设备的泳池中最常用的盐就是99%纯度的氯化钠 (NaCl)

切勿使用以下类型的盐；

- 岩盐
- 亚铁氰化钠超过1%的盐
- 防结块添加剂超过1%的盐
- 加碘盐

#### 12.1. EXCEPTIONS THAT MAY RESULT IN DENIAL OF A WARRANTY CLAIM

1. Damage caused by careless handling, improper repackaging or shipping.
2. Damage due to misapplication, misuse, abuse or failure to operate and install the equipment as specified in this manual.
3. Damage caused by a misuse, abuse or failure to operate and install the equipment out of the scope of a professional level demanded in similar equipment or installation type.
4. Damage due to unauthorized product modifications or failure to use Emaux original replacement parts.
5. Damaged caused by negligence or failure to properly maintain products as specified in this manual.
6. Damage caused by failure to maintain water chemistry in conformity with the standards of the swimming pool industry for any length of time.
7. Damage caused by water freezing inside the product.
8. Accident damage, fire or other circumstances outside the control of Emaux.
9. Items had been repaired or altered in any way by any person that is not authorized by Emaux.
10. Wear & tear parts.

#### 导致保修声明无效的例外情况

1. 因粗心操作、包装不正确或运输不恰当而引起的损坏。
2. 因使用不当、误用、滥用或拒动而造成的损坏,或未按手册所示安装设备所造成的损坏。
3. 因使用不当、误用、滥用或拒动而造成的损坏,或者设备的安装超出了类似设备或安装类型所要求的专业水平范围。
4. 因对产品做出未经授权的修改或未使用Emaux提供的原始更换零件而导致的损坏。
5. 因疏忽或未能按照此手册的规定恰当维护产品而导致的损坏。
6. 因未能在任何一段时间内使水的化学性负荷泳池工业标准而导致的损坏。
7. 因产品内部水的冻结而造成的损坏。
8. 事故损坏、火灾或其他Emaux不可控的情况。
9. 非Emaux授权的任何人通过任何方式对商品进行的修理或更换。
10. 磨损零件。

#### 12.2. CLAIM PROCESS

Summary of Emaux Claim Process in 3 steps:

1. Claim: Customer contacts Emaux salesperson and provides completed details of the claim which includes:
  - a. Information about the failed product such as the part number(s) and serial number(s).
  - b. Description of the complaint/failure.
  - c. Pictures
2. Once the complaint is received, the product quality incident will then be reviewed by Emaux's Quality Department following the "Emaux Warranty Policy".
3. Conclusion: After the investigation is completed, Emaux will inform the distributor accordingly.

如果盐电解盒上的钙量出现增长势头, 在洗洁精中浸泡10分钟后仍无法去除, 建议使用一种特殊产品, 即“电解盒清洁剂”, 无论从哪方面讲, 它都不具腐蚀性, 不会损坏电解盒。电解盒可以在“盐电解盒清洁剂”中浸泡1小时以上, 以便将上边的钙彻底消除。

与传统盐酸洗洁精相比, 我们更建议无时无刻都使用盐电解盒清洗剂, 因为它更加安全, 对盐电解盒毫无伤害, 而且可以重复使用。

## 12. WARRANTY POLICY

Emaux manufactures its products with the highest standard of workmanship, using the best materials available through state of the art process. Emaux proudly warrants its products as follows:

### 保修条款

Emaux用最高的工艺标准来进行产品制造, 在整个工艺阶段使用最好的材料。Emaux可以骄傲地对其产品做出下列担保:

EXTENDED WARRANTY FOR SPECIFIC PRODUCTS (OFFERED FROM DATE OF INVOICE) 特定产品延长保修 (从发票开具日期算起)	
Product 产品	Warranty Period 保修期
Filters & Filter Systems 过滤器及过滤系统	2 year 两年
Pumps 水泵	1 year 一年
Underwater Lights 水下灯	1 year (bulbs 90 days) 一年 (灯泡为90天)
Ladders 梯子	1 year 一年
Control devices 控制装置	1 year 一年
Heat Pumps & Heat Exchangers 热泵及热交换器	1 year 一年
Salt Chlorinators & UV Systems 盐加氯器及UV系统	1 year (2 years for cell material) 一年 (电解盒材料为两年)
Pool Fittings 泳池配件	1 year 一年
Cleaning Equipment & All others 清洁设备及其他	1 year 一年

## ADDITION AND REMOVING SALT IN THE SWIMMING POOL WATER

Before adding the salt into the pool, place the multiport valve on “Filtration” or “Recirculation” and then turn the filtration pump on.

Add the salt directly into the pool or ballast tank and do not allow the salt to sit in a pile on the bottom of the pool.

Keep the filtration system running for 24 hours using the Main Drain or vacuum suction nozzle as a main suction line.

The only way to remove the salt in the pool water is to partially drain the pool and refill with fresh water.

### 加入及去除泳池水中的盐

在将盐加入泳池之前, 将多端口阀门放在“过滤”或“再循环”的位置上, 打开过滤泵。

直接将盐加入泳池或压载舱中, 不要让盐在池底形成堆积。

让过滤系统运转24小时, 用总排水管或真空吸嘴当作主吸入管。

将盐排出泳池的唯一方法就是部分排干泳池中的水, 并注入新鲜的水。

## 4. Product Specification 产品规格

Model 型号	Cell Power Rating 电解盒额定功率	Chlorine Generation 生成的氯	Fiberglass Pool 纤维玻璃泳池	Concrete Pool 混凝土水池
	(VA)	(g/hr)	(Liter)	(Liter)
SSC15-E	142	15	50000	45000
SSC25-E	226	25	75000	70000
SSC50-E	500	45	120000	110000
SSC15-T	142	15	50000	45000
SSC25-T	226	25	75000	70000
SSC50-T	500	45	120000	110000
SSC15-TLT	142	15	50000	45000
SSC25-TLT	226	25	75000	70000

\* All the cells are Self Cleaning type  
所有的电解盒都是自洁式类型。

**SSC-TLT Series** (Chlorinator with underwater light, transformer and time switch)

**SSC-TLT系列** (带有水下灯、变压器和计时开关的加氯器)

Model 型号	Input Voltage / Frequency 输入电压/电频	Underwater light transformer Power Rating 水下灯变压器的功率
SSC15-TLT	220-240VAC 50/60Hz	100VA
SSC25-TLT	220-240VAC 50/60Hz	100VA

### SSC-T Series (Chlorinator with time switch)

### SSC-T Series系列 (定时氯化器)

Model 型号	Input Voltage / frequency 输入电压/电频	Power Rating 功率
SSC15-T	220-240VAC50/60Hz	142VA
SSC25-T	220-240VAC50/60Hz	226VA
SSC50-T	220-250VAC50/60Hz	500VA

### 5. Installation Guide

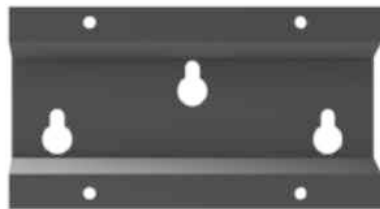
The Emaux SSC Chlorinator unit is contained in a rain tight enclosure that is suitable for outdoor mounting (IPX4 waterproof). However, the following points must be taken into consideration for a correct installation of the SSC Chlorinator unit:

- Select a convenient well-ventilated location within one meter of filter equipment.
- Install the Control Panel using the template paper sheet provided with the package in a minimum distance of 3.5 meters (11.5 ft.) from the swimming pool, 1.5 meters (5 ft.) from the ground, within 2 meters (6.5 ft.) from the protected outlet, and within 4.5 meters (15 ft.) from where the cell will be installed, in a ventilated area and leaving enough free space of min. 50cm (20") in each side for servicing.

### 安装指南

Emaux SSC型加氯器被装在防雨围挡中, 适宜于户外安装 (IPX4 防水)。然而, 在安装SSC型加氯器时, 必须考虑以下几点:

- 选择方便的、通风良好的安装地点, 距离过滤设备不超过一米。
- 使用产品包装中提供的模板纸安装控制面板, 其与泳池的最小距离保持在3.5米 (11.5英尺), 与地面的最小距离为1.5米 (5英尺), 距受保护的排水管2米 (6.5英尺), 距安装的电解盒4.5米 (15英尺)。其安装地点需保证通风良好, 保持足够的空间, 每边要留出至少50厘米 (20") 的距离, 以便进行维修。



Mounting bracket

### 11. Clean Chlorinator Titanium Cell

Even the system is design in cell cleaning function, cleaning your Salt Water Chlorinator Cell is required to remove calcium from the plates of the cell which is a by-product of chlorination.

#### Protection Caution

The mixture required for cleaning is extremely corrosive and protective wear is highly recommended.

#### Procedures

1. Make a cleaning mixture of 1/10 parts Hydrochloric Acid to water (Always add Hydrochloric acid to water).
2. Turn the filtration system off.
3. Remove Salt Cell from the housing.
4. Add the Salt Cell to the cleaning mixture making sure there is little to no contact with the terminals.
5. Wait five to ten minutes for the Salt Cell to be cleaned.
6. If any parts of calcium are stuck or will not dissolve, carefully remove them with a smooth plastic instrument.
7. Once the Salt Cell is clean, rinse with fresh water and place back in the housing and tighten the cell or collar.
8. Turn system back to automatic setting or timer.
9. Dispose of cleaning mixture.



If the Salt Cell has an increased amount of calcium and it has not been removed after the ten minutes in the cleaning solution it is advised to use a specialty product "Cell Cleaner" which is not as corrosive or damage the cell in any regard. The cell can be left in Salt Cell Cleaner for up to 1 hour and will completely remove calcium.

We recommended using Salt Cell Cleaner at all times over the traditional Hydrochloric mixture, it is a safer alternative and not harmful to your Salt Cell at all and reusable.

### 清洁加氯器的钛电解盒

即使本系统是在电解盒清洁功能状态下设计的, 但仍需要对盐加氯器的电解盒进行清洁, 从电解板上清除钙垢, 即氯化的副产品。

#### 保护注意事项

清洗所需的混合物极具腐蚀性, 强烈建议穿着保护性服装。

#### 步骤

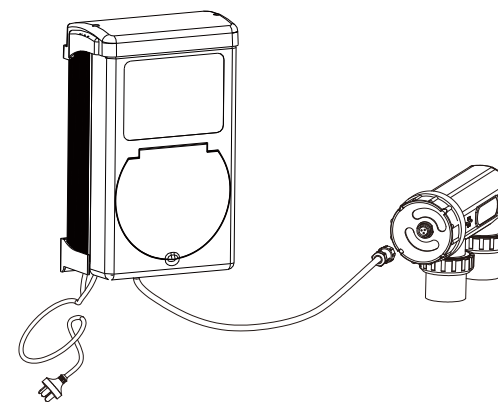
- 1) 将含有1/10盐酸的洗洁精加入水中。(记得将盐酸加入水中)
- 2) 打开过滤系统。
- 3) 从外壳中取出盐电解盒
- 4) 将盐电解盒放入洗洁精中, 确保洗洁精少接触或不接触终端。
- 5) 等5到10分钟, 让盐电解盒得到清洗。
- 6) 如果钙被卡住或者无法溶解, 小心地使用光滑的塑料仪器将其去除。
- 7) 盐电解盒清洗完成后, 用清水漂洗, 放回到电解盒壳中, 将电解盒或箍卡紧。
- 8) 将系统恢复到自动设置或计时器状态。
- 9) 处理洗洁精。



## 10. Troubleshooting 故障排除

I. Low / no chlorine production 氯的产出量低/无	How to handle 如何处理
Salt level is too high and cause over heat. 盐分水平过高, 导致温度过高。	Check the salt level is within operation range, refer to individual model recommendation. It will resume output when salt level is normal. 检查盐分水平是否控制在操作范围之内, 参照具体产品型号的建议量。盐分水平正常的话, 产出量会恢复。
Check the electrical plug / control box / pump power 检查电插头/控制盒/水泵电源	Connect the power properly 正确连接电源。
Setting system is too low 设置系统过低。	Turn the system control to maximum 将系统控制开到最大。
Automatically stopped by the timer setting 被计时器设置自动关停	Adjust the timer setting 调整计时器设置
Blown fuse 保险丝烧断	Cut the power and replace the fuse 切断电源, 更换保险丝
excessive scale build upon the cell 电解盒上有过量的污垢堆积	Switch off the salt chlorinator and clean the salt cell by professional serviceman. 由专业服务人员关闭盐加氯器, 并清洗盐电解盒
Filter Backwashing 过滤器反洗	Once the backwash is complete, turn the filter back to normal filtration 反洗完成后, 将过滤器恢复到正常过滤状态。
The gas sensor is not connected 气体传感器未连接	Connect the gas sensor according to this manual 按照手册上所示, 连接气体传感器。
Pump malfunction 水泵运转失常	Stop the filtration system and repair the pump 关停过滤系统, 修理水泵
Water temperature too low 水温过低	Turn on the winter switch 开启冬季模式开关
Salt lever too low 盐分水平过低	Add salt to the pool 往泳池中加盐
pH valve too high pH值过高	Check the water pH valve and keep it around 7.0-7.6 检查水的pH值, 将其保持在7.0-7.6
ii. No flow 无水流	
Pump malfunction 水泵运转失常	Stop the filtration system and repair the pump 关停过滤系统, 修理水泵
Filter Backwashing 过滤器反洗	Once the backwash is complete, turn the filter back to normal filtration 反洗完成后, 将过滤器恢复到正常过滤状态。
The gas sensor is not connected 气体传感器未连接	Connect the gas sensor according to this manual 按照手册上所示, 连接气体传感器。
iii. No display 无显示	
Setting system is too low 设置系统过低	Turn the system control to maximum 将系统控制开到最大。

- Two self-tapping screws and wall plugs have been provided for fast and simple installation. Simply cut out Template provided for the location of drill entry points. Use a 8mm masonry drill when fitting control unit to a brick or concrete wall. When mounting to a post drill pilot holes and fit screws provided. Once screws are in position simply hang the chlorinator via the bracket on back of Control Box.
- The electrolytic cell housing must be plumbed into the return line after the filter. Please refer to the installation diagram. The cell housing can be fitted to 1.5" or 2" PVC piping by provided universal union.
- Glue the salt cell horizontally on the pool return pipe, allow 24 hour curing of the pipe glue.
- Used the provided cable to connect the control unit and the salt cell together.
- 产品附带两个自攻螺钉和墙塞, 以便使安装更加快捷简单。仅需简单地剪开为钻孔入口位置提供的模板即可。需要将控制装置固定到砖墙或混凝土墙上时, 可使用8毫米的石钻。安装到立柱上时, 使用提供的钻孔导向孔和固定螺丝。螺丝到位之后, 只需简单地利用控制盒背部的托架吊起加氯器即可。
- 过滤完成之后, 必须将电解槽外壳插入回水管中。请参照安装图。电解盒外壳可以通过所提供的万能接头安装到1.5"或2"的PVC管上。
- 将盐水池水平粘贴到泳池的回水管上, 让管胶保持24小时固化。
- 用提供的电缆将控制装置和盐水池连接起来。



- DO not mount the Control Panel in a direct sun light.
- The Control Panel must be installed far away from the chemical storage, especially from acid because it can corrode the electronics inside the unit.
- It must be kept away from heat sources and any equipment which produce heat.
- Plug-in power supply into a suitable weatherproof outlet socket with circuit breaker.
- Before fixing the Control Panel, make sure that the power cable and cell cable also reach the Control Panel.
- 请勿将控制面板直接暴露于阳光之下。
- 控制面板的安装地点必须远离化学品存储区域, 尤其远离酸, 因为这样会腐蚀装置内部的电子器件。
- 须远离热源以及任何会生成热的设备。
- 将电源插入适合的带有断路器的防水插销内。
- 在固定控制面板之前, 确保电源电缆和电解盒电缆连接到控制面板。

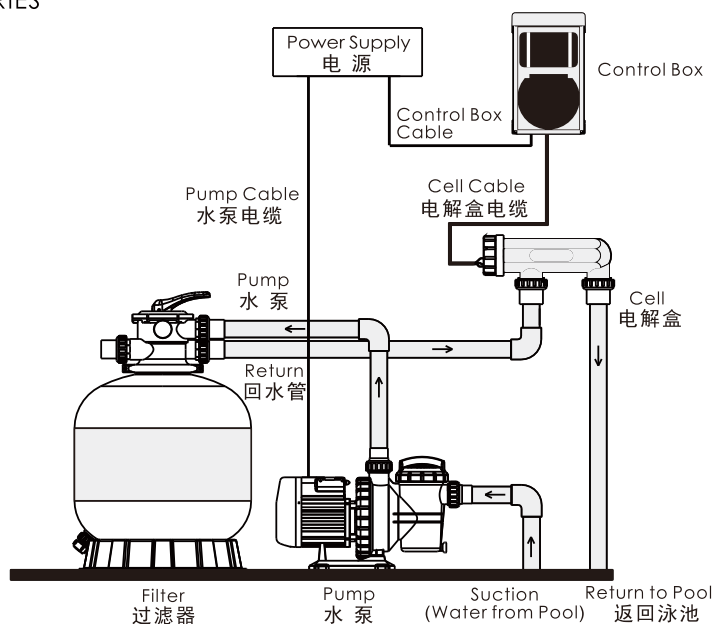
### Electrolytic Cell and Electrode

- The cell must be installed horizontally
- Connect the water inlet and outlet to the Cell Unit. The water flow direction must be as indicated on the Cell.
- To avoid loss of chlorine, the Cell should be installed at the end of the filtration system, right before the pool water return.

### 电解电解盒及电极

- 电解盒必须水平安装。
- 将进水管和出水管连接到电解盒单元。水流方向必须按照电解盒上的指示。
- 为避免氯的缺失, 电解盒需安装在过滤系统的底部, 位于泳池排水管之前, 紧挨排水管的位置。

### SSC-E SERIES



### 8. Timer setting for Timer version

- Turn the outer clock face until the time of the day is aligned with the clock at the center of the timer
- The 24-hour dial has 15 minutes division. The timer can be programmed by pushing the captive trippers to the outer ring position for the entire period that the load is to return ON.
- The timer clock will rotate with time; the chlorinator will be turned on automatically if its captive tripper is pushed outward.

### 有关计时器版本的计时器设置

- 旋转外在钟面, 直到一天中的时间与计时器中心的时钟对齐。
- 24小时的拨盘有15分钟的分区。在开启负荷的整个时间段, 通过将自备卸料器推到外圈位置, 可以对计时器进行编程。
- 计时器的时钟随着时间的推移而转动; 自备卸料器向外推时, 加氯器会自动打开。

### 9. Maintenance and Troubleshooting

Salt Chlorinators are a valuable piece of pool sanitizing equipment and must be cared for to get the best performance and life span from it.

- Keep the water chemical balance
- Good operation environment
- Regular check of the titanium plates. During the chlorination process a white powder Calcium scale may naturally build up on the titanium plates in the cell. Regular monitor of the cell to prevent excessive scale build up. Excessive scale build up will cause damage to your cell, and dramatically reduce its efficiency and lifespan.
- If the control box failure or calcium excessive build up, maintenance must be carried out by professionals.
- Avoid any insect from entering the control box, it may damage the electrical component inside.
- Regular monitor of the filter and pump.

### 维修及故障排除

盐加氯器是一种具有很高价值的泳池消毒设备, 必须足够重视, 以使其达到最佳效能和最长的使用寿命。

- 1) 保持水的化学平衡
- 2) 良好的操作环境
- 3) 定期检查钛板。在氯化过程中, 电解盒的钛板上会自然堆积起一层白色粉末, 即钙垢。对电解盒进行定期检查, 避免过多的污垢堆积。堆积的污垢过多的话, 会对电解盒造成损害, 大大减少产品效能及使用寿命。
- 4) 如果控制盒出现故障, 或者钙的堆积过多, 则必须由专业人士进行维修。
- 5) 避免昆虫进入控制盒, 这样会损坏内部的电子元件。
- 6) 定期检查过滤器及水泵。

### SALT CHLORINATOR ON/OFF/AUTO:

ON/Off Switch. In Auto mode, the chlorinator is operated by the timer setting

### Light On/Off:

Switch for underwater light connected to the control unit (For certain model)

### System Control button:

Adjust the chlorine product of the chlorinator in term of time.

For example:

Set at 100% = the salt cell operate continually.

Set at 50% = the salt cell operate 30 minutes of each hour and 30 minutes is idle.

Set at 30% = the salt cell operate 18 minutes of each hour and 42 minutes is idle.

### Winter Mode Switch and On/ Off LED:

Turn on to change the chlorine production at 85% .

### Cell Polarity LED:

Show the polarity of the electrodes; the polarity of the electrode will shifted every 8 hrs of operation, so as to clean the deposition on the electrode.

Timer: Used to set the program to turn on and off the control unit automatically. (for model with timer only)

### Stand-By LED:

Turn on when chlorinate is in stand-by mode, When the chlorinator is turn on, the standby LED will go off after 35 sec.

### No Flow LED:

Turn on if there is no water flow, if there is no water flow, the pump and salt chlorinator will stop automatically.

### 盐加氯器的开/关/自动:

开/关。自动模式下,加氯器的运行由计时器设置控制。

### 灯的开/关:

与控制装置相连的水下灯的开关 (仅限某些特定型号)

### 系统控制按钮:

调整某段时间内加氯器的氯产出量。

例如:

设置为100%=盐电解盒持续运转

设置为50%=盐电解盒每小时运行30分钟,剩余30分钟空闲。

设置为30%=盐电解盒每小时运行18分钟,剩余42分钟空闲。

### 冬季模式开关及LED开/关:

打开此开关,则氯的产出率变为85%。

### 电解盒电极LED:

显示电极的极性;每运行8小时,电极的极性会变换一次,以便能清除电极上的沉积。

### 计时器:

用来设置自动开关控制装置的程序 (仅限于带有计时器的型号)

### 待机LED:

当加氯器处于待机模式时,将其打开。加氯器关闭时,待机LED会在35秒后熄灭。

### 无流量LED:

如无水流时,将其打开。如果没有水流,水泵和盐加氯器会自动关闭。

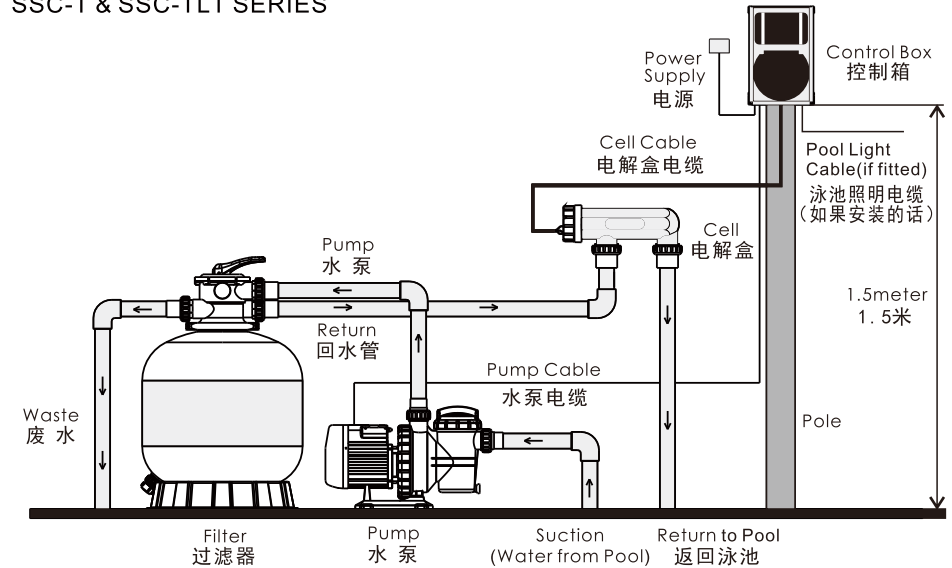
### For model with lighting power output installation

Mount the control unit vertically onto a post or wall 1.5 meters above ground level. (Australian Standards requires that the electric control unit shall not be located within 3 meters of the pool water.)

### 安装带有照明功率输出的型号产品

将控制装置垂直安装在立柱上或超过地面1.5米的墙上。(澳大利亚标准要求电子控制装置不得安装在离池水3米的距离之内。)

### SSC-T & SSC-TLT SERIES



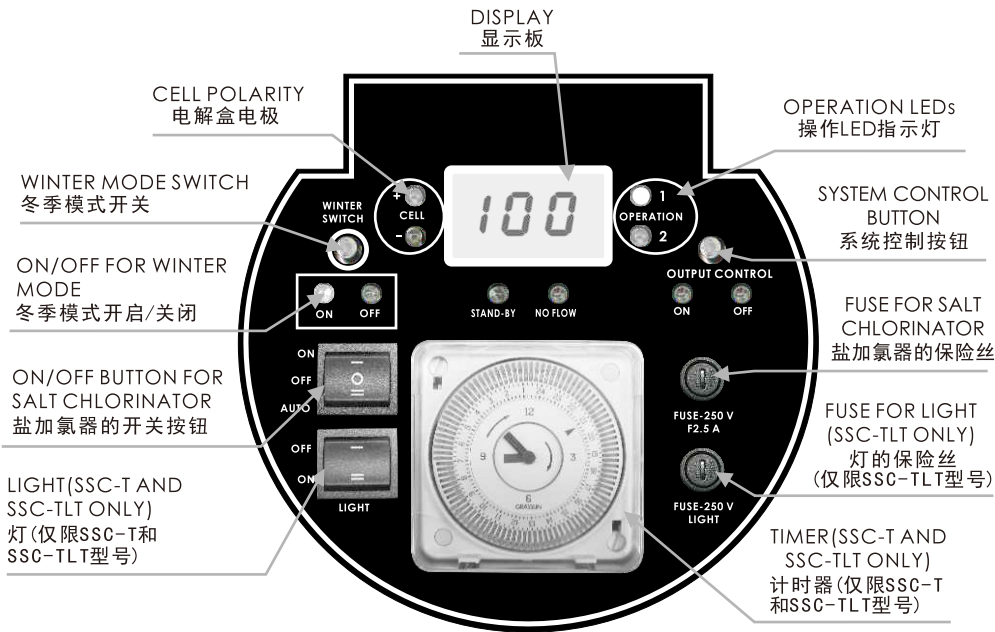
### 6. Operation Start Up

- Power input: 220-240VAC, 50/60Hz
- Recommended pool salt lever: 4000PPM (no less than 40kg of pure salt dissolved in 10,000 liter of pool water)
- Run chlorinator at the Salt Levels stated within this document and on the product to ensure optimum sanitizer output and cell life.
- Operating this device at low salt levels will damage the cell and reduce its life.
- The control panel will displays a RED indicator when the salt level is low.
- If no action is taken to rectify the salt level, damage to the cell may result which will not be covered under warranty.
- During extreme hot weather conditions or high bather load, the pool water need to bechlorinated using granulated or liquid chlorine or increase the running time of the chlorinator.
- Always turn down the system control to zero before adding salt, once the salt is completely dissolved, return to the set position.
- The aluminum casing at the back of the Control Unit acts as a heat sink, do not touch it with bare hands.

## 操作启动

- 输入功率：220-240VAC, 50/60Hz
- 泳池盐分水平的建议量：4000PPM（每10,000升池中纯盐不得少于40公斤）
- 运行盐分水平满足本文件及产品要求的加氯器, 以确保消毒剂产出和电解盒寿命能达到最佳。
- 在盐分水平过低的情况下操作此设备, 会对电解盒造成损害, 减少其使用寿命。
- 盐分水平过低的话, 控制面板会亮起红色指示灯。
- 如果未采取任何行动来纠正盐分水平, 则因此造成的电解盒损坏不予保修。
- 在极度高温条件下, 或在游泳者负荷过大的情况下, 泳池中的水需要用粒状氯或液氯进行超级氯化, 或增加加氯器的运行时间。
- 在加盐之前, 记得要关停系统控制; 盐分完全溶解之后, 再回复到设置位置。
- 控制装置后部的铝套管被当做散热片使用, 不要赤手空拳地触碰它。

## 7. Control Panel operation 控制面板操作



### 3 Digital display

There are three display function

- When system control button is pressed, it adjust the cell output ratio and display the corresponding running time per hour. For example, "100 "means 60 minutes run and 30 minutes idle.
- In normal operation, it represent the percentage of the chlorine production. "100" means it is 100% chlorine is generating with adequate salt level.
- System Error code, system stop and need attention

### 三种数字显示

有三种显示功能

- 按下系统控制按钮后, 其会调整电解盒输出率, 并显示每小时相应运行时间。例如, "100"表示60分钟, "50"表示运行30分钟, 空闲30分钟。
- 在正规操作下, 其代表产出氯的百分比。"100"表明在盐分充足的情况下, 产出了100%的氯。
- 系统错误代码, 系统停止, 需要注意

Error code 错误代码	Description 问题描述	Solution 解决方案
ER2*	Terminal inside temperature is too high 内部终端温度过高	Power off the unit, open the case to check the cell terminal screw is tight enough or not. Restart the system. 关闭装置, 打开外壳, 检查电解盒终端螺丝是否拧紧。 重启系统。
ER3	Thermal sensor is disconnected 温度传感器未连接	Check the sensor cable is loss or not 检查传感器电缆是否缺失。
ER4	AC line input issue 交流线路输入问题	Check the transformer output wiring, or fuse is broken 检查变压器输出接线或保险丝是否有破损。

\* ER2- the system stop operate for protection when extremely worst operation environment is detected, with too high salt level, high ambient temperature or without ventilation.

\* ER2-当检测到极其恶劣的操作环境时, 系统停止运行以进行保护, 因为盐含量过高, 加上环境温度过高而且没有通风所引致。

### LED display LED显示

	1	2	Description 描述
Operation 操作	Green 绿灯	Green 绿灯	Normal Operation 常规操作
	Green 绿灯	Red 红灯	Low salt/Deposition on the electrode/Low water Temperature 盐分较低/电极上有沉积/水的温度较低
	Red 红灯	Red 红灯	Extremely low salt level/ series deposition on the electrode/extremely low water temperature 盐分过低/电极上沉积严重/水温过低
Cell Polarity 电解盒电极	+	-	Description 问题描述
	Red 红灯		The cell current in positive direction 电解盒电流为正向
		Red 红灯	The cell current in negative direction 电解盒电流为负向